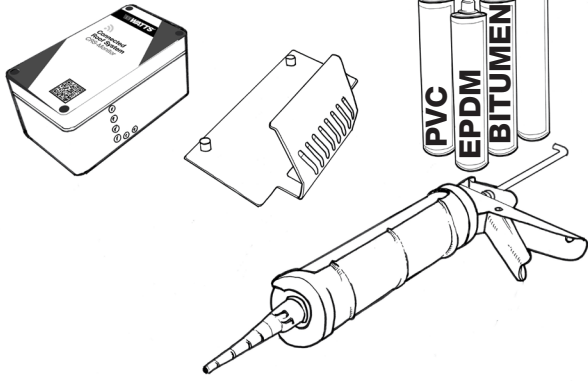
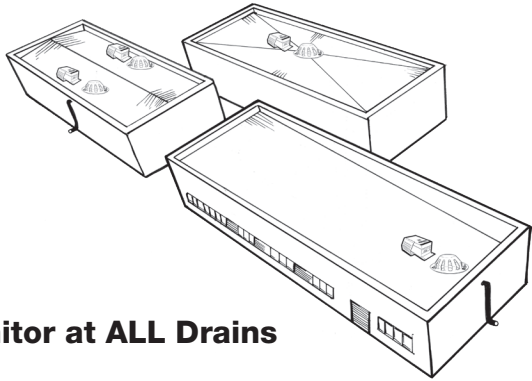


1 What You Need



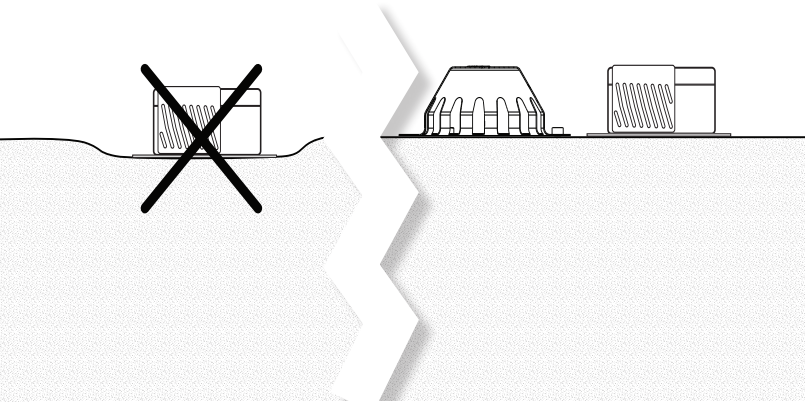
2 Where to Mount

QG-WD-CR-Monitor 2124



Monitor at ALL Drains

3 Mount at the Drain Level

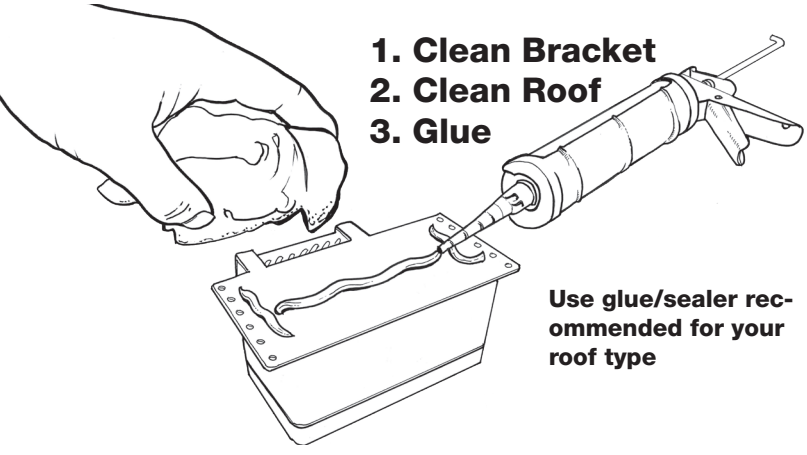


4 If Needed Install Monitor on Bracket

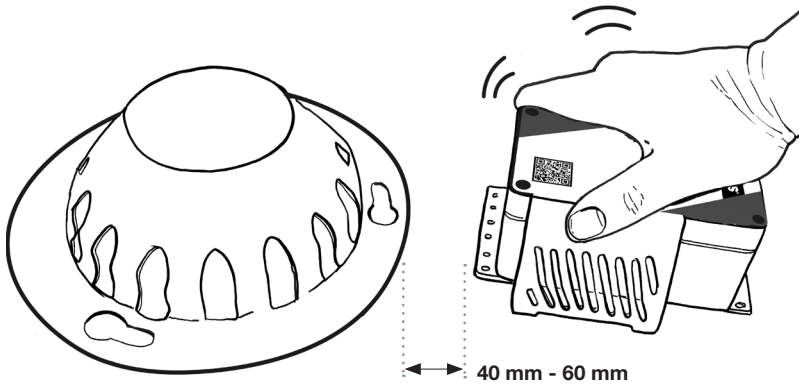


5 Monitor Install

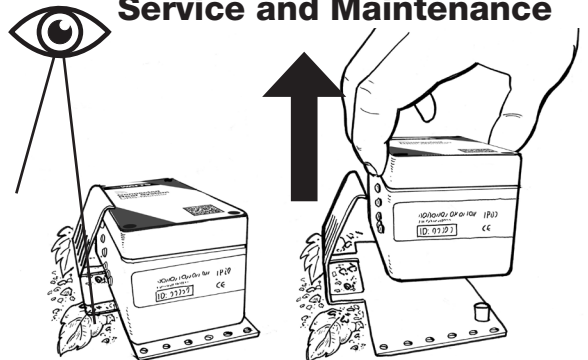
- 1. Clean Bracket
- 2. Clean Roof
- 3. Glue



Position the Monitor



Service and Maintenance



Remove and Clean Away Dirt

Connected Roof Monitor



NOTICE

The information contained herein is not intended to replace the full product installation and safety information available or the experience of a trained product installer. You are required to thoroughly read all installation instructions and product safety information before beginning the installation of this product.



USA: T: (978) 689-6066 • F: (978) 975-8360 • Watts.com

Canada: T: (888) 208-8927 • F: (905) 332-7088 • Watts.ca

Latin America: T: (52) 55-4122-0138 • Watts.com

QG-WD-CR-Monitor 2124 EDP#1926061 © 2021 Watts