

Engineering Specification

Job Name _____
 Job Location _____
 Engineer _____
 Approval _____

Contractor _____
 Approval _____
 Contractor's P.O. No. _____
 Representative _____

Series ETA

ASME

Pressurized Expansion Tanks for Heating and Cooling Systems

Models ETA 15 to ETA 240

Watts Model ETA Tanks are ASME fixed bladder type pre-charged expansion tanks. They are designed to absorb the expansion forces and control the pressure in heating & cooling systems. The water is contained in the heavy duty bladder preventing tank corrosion and waterlogging problems.

Features

- Bladder Integrity Monitor
- ASME Section VIII Construction
- Heavy Duty Butyl Bladder
- Precharged to 12psi (Field Adjustable)

Construction

Shell: Carbon steel

Bladder: Heavy duty butyl

Prime painted exterior

Pressure - Temperature

Maximum Design Pressure:

ETA 15 through ETA 60: 150psi (10 bar)

ETA 80 through ETA 240: 125psi (8.5 bar) Precharged to 12psi (83 kPa)

Maximum Design Temperature: 240°F (115°C)

Specifications

Furnish and install as shown on plans a Watts Model ETA _____ gallon _____ " diameter x _____ " (high) pre-charged steel expansion tank with a fixed butyl bladder and Bladder Integrity Monitor. The tank shall have a top NPT system connection and a .302" - 32 charging valve connection (standard tire valve) to facilitate the on-site charging of the tank to meet system requirements. The tank must be constructed in accordance with Section VIII of the ASME Boiler and Pressure Vessel Code.



Schedule

MODEL NUMBER	TANK VOLUME GALLONS	ACCEPTANCE VOLUME GALLONS	TAGGING INFORMATION	QUANTITY
ETA 15	7.8	6.3		
ETA 20	10.9	8.8		
ETA 40	25	20.2		
ETA 60	35	28		
ETA 80	45	36		
ETA 100	60	48.5		
ETA 120	70	56.5		
ETA 144	80	65		
ETA 180	90	73		
ETA 200	115	93		
ETA 240	140	113.5		

NOTICE

Inquire with governing authorities for local installation requirements

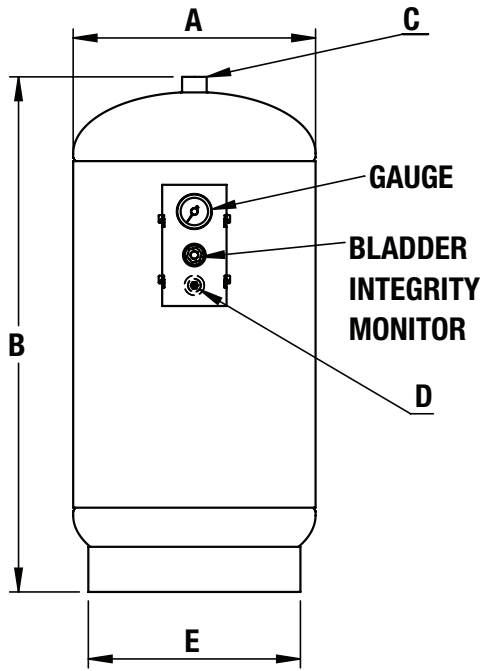
NOTICE

The information contained herein is not intended to replace the full product installation and safety information available or the experience of a trained product installer. You are required to thoroughly read all installation instructions and product safety information before beginning the installation of this product.

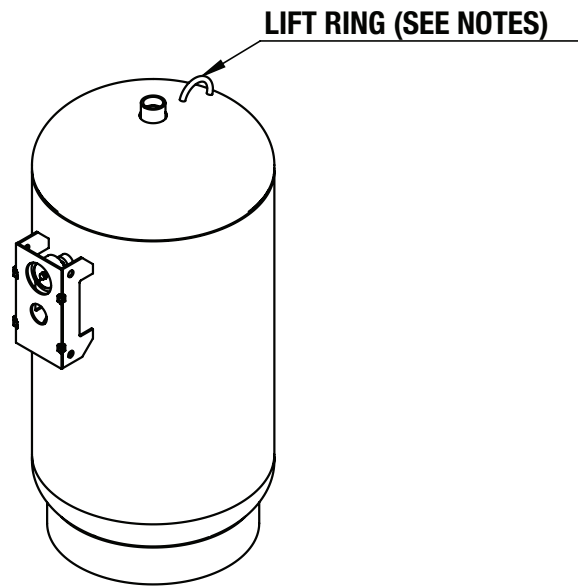
Watts product specifications in U.S. customary units and metric are approximate and are provided for reference only. For precise measurements, please contact Watts Technical Service. Watts reserves the right to change or modify product design, construction, specifications, or materials without prior notice and without incurring any obligation to make such changes and modifications on Watts products previously or subsequently sold.



ASME EXPANSION TANKS - Pressurized



ETA 15 and ETA 20



ETA 40 through ETA 240

Model Number	System Connection <i>in.</i>	Max. Operating Pressure (PSIG)	DIMENSIONS						WEIGHT*	
			Dia.		Height		C		<i>lbs.</i>	<i>kgs.</i>
			<i>in.</i>	<i>mm</i>	<i>in.</i>	<i>mm</i>	<i>in.</i>	<i>mm</i>		
ETA 15	¾	150	12	305	19	483	10	254	42	19
ETA 20	¾	150	12	305	26	660	10	254	52	24
ETA 40	1	150	16	406	33	838	14	356	84	38
ETA 60	1	150	16	406	45	1143	14	356	97	44
ETA 80	1	125	20	508	38	968	18	457	148	67
ETA 100	1	125	20	508	49	1245	18	457	175	79
ETA 120	1½	125	24	610	46	1168	22	559	259	117
ETA 144	1½	125	24	610	49	1245	22	559	268	122
ETA 180	1½	125	24	610	52	1321	22	559	283	128
ETA 200	1½	125	24	610	66	1676	22	559	325	147
ETA 240	1½	125	24	610	78	1981	22	559	362	164

Note: Tanks are factory pre-charged at 12 psi and field adjustable. (*approximate)



USA: T: (978) 689-6066 • F: (978) 975-8350 • Watts.com
 Canada: T: (888) 208-8927 • F: (905) 332-7068 • Watts.ca
 Latin America: T: (52) 55-4122-0138 • Watts.com