

tekmar® Submittal

tekmarNet® 2 Wiring Center 314



Zoning

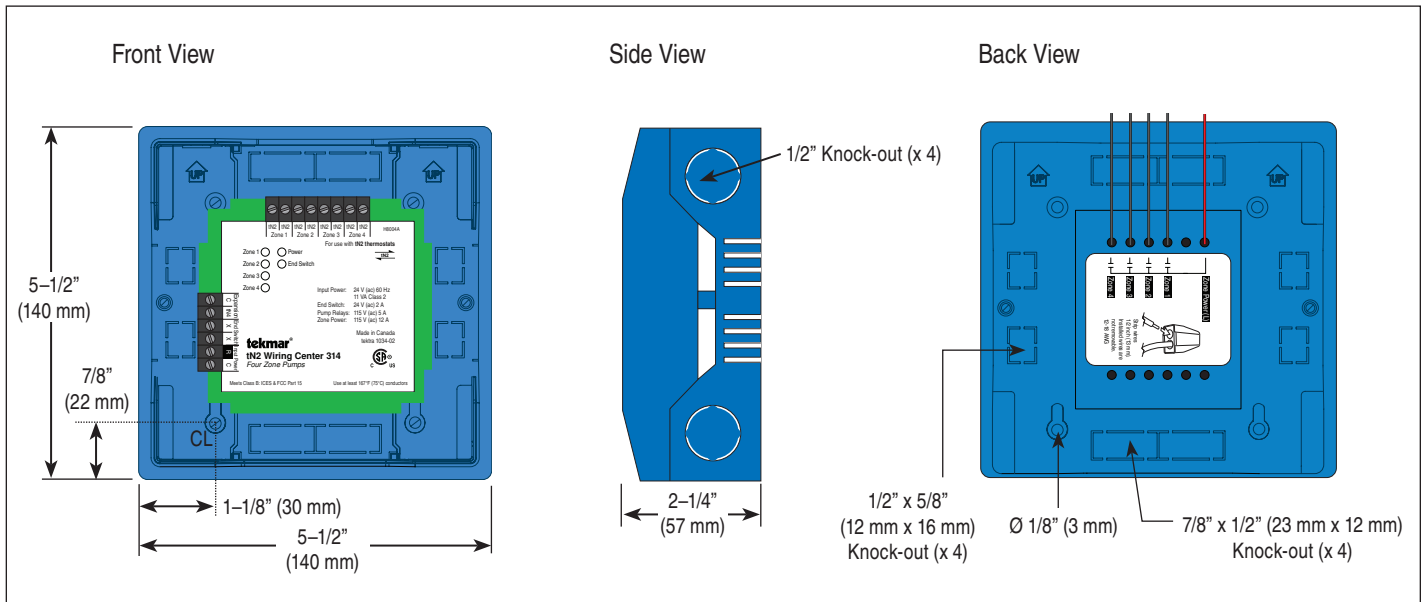
C314

01/11

Replaces: New

Job _____ Designer _____ Contact _____

The tekmarNet® 2 Wiring Center 314 is designed to provide a zoning solution for heating systems. It can be used in applications ranging from baseboard zones, to radiant heating zones. This control energizes up to 4 zone pumps. It is capable of providing power for up to 4 tekmarNet® 2 thermostats, and energizing their respective 115 V (ac) zones, as well as providing an end switch closure to enable an external device such as a boiler.



Specifications

tN2 Wiring Center 314 Four Zone Pumps	
Literature	D314, Q314
Control	Microprocessor control. This is not a safety (limit) control
Packaged weight	1.4 lb. (640 g)
Dimensions	5.5" H x 5.5" W x 2.25" D (140 x 140 x 57 mm)
Enclosure	Blue PC+ plastic, NEMA type 1
Approvals	CSA C US, meets class B: ICES & FCC Part 15
Ambient conditions	Indoor use only, 32 to 122°F (0 to 50°C), RH ≤90% Non-condensing
Power supply	24 V (ac) ±10%, 60 Hz, 3 VA min 11 VA max, Class 2
Zone pump relays	115 V (ac) 5 A
End switch relay	24 V (ac) 2 A
Zone power input	115 V (ac) 12 A max
Warranty	Limited 3 Year (See D314 for full warranty)

Features

- Four 115 V (ac) powered pump outputs
- For use with tekmarNet® 2 thermostats ONLY
- Supports two-stage tekmarNet® 2 thermostats
- tN4 expansion terminals
- Isolated end switch
- External diagnostic LEDs
- CSA C US Certified for use in USA and Canada

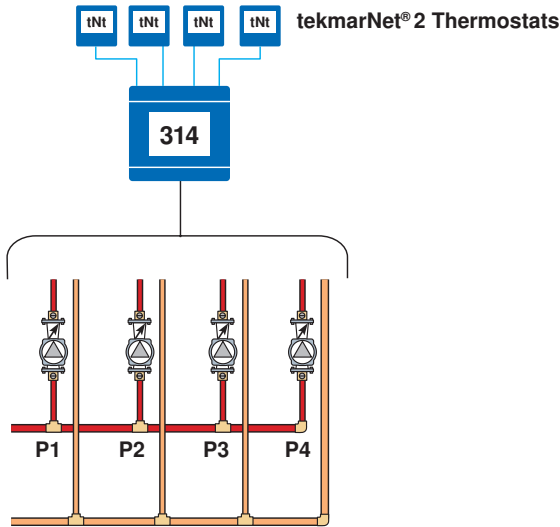
SPECIAL REQUIREMENTS

This control is designed for use ONLY with tekmarNet® 2 Thermostats.

Sample Application Drawing

Below is a sample application drawing for this product. This application may include other tekmar products that are required for installation. More sample applications can be found at www.tekmarcontrols.com.

Sample Mechanical diagram



Sample Electrical diagram

Legend

- P1 = Zone Pump 1
- P2 = Zone Pump 2
- P3 = Zone Pump 3
- P4 = Zone Pump 4

