

tekmar® Submittal

tN2 Wiring Center 314



Zoning

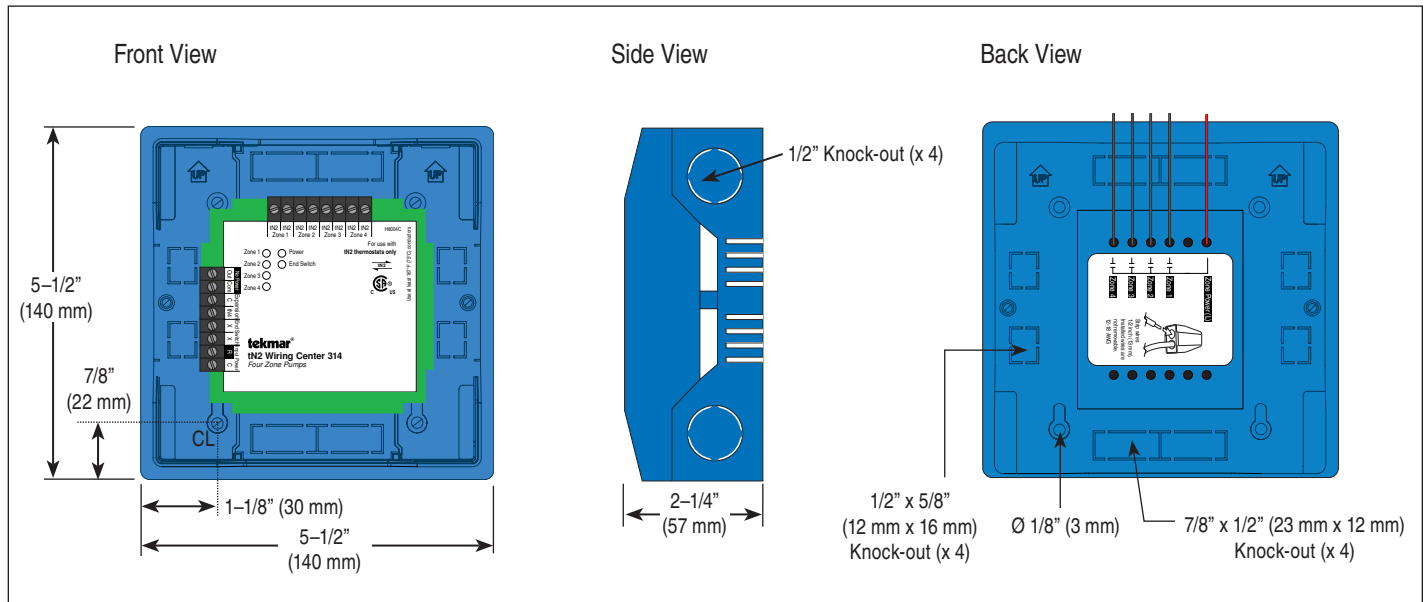
C314

05/11

Replaces: 01/11

Job _____ Designer _____ Contact _____

The tekmarNet® 2 Wiring Center 314 is designed to provide a zoning solution for heating systems. It can be used in applications ranging from baseboard zones, to radiant heating zones. This product provides power for up to four tekmarNet® 2 thermostats, and up to four 115 V (ac) zone pump outputs, as well as providing an end switch closure to enable an external device such as a boiler. An outdoor sensor input is included and provides the outdoor air temperature reading on each thermostat when an optional outdoor sensor is installed.



Specifications

tN2 Wiring Center 314 Four Zone Pumps	
Literature	D314, Q314, C314
Control	Microprocessor control. This is not a safety (limit) control
Packaged weight	1.4 lb. (630 g)
Dimensions	5.5" H x 5.5" W x 2.25" D (140 x 140 x 57 mm)
Enclosure	Blue PC+ABS plastic, NEMA type 1
Approvals	CSA C US, meets class B: ICES & FCC Part 15
Ambient conditions	Indoor use only, 32 to 122°F (0 to 50°C), RH ≤90% Non-condensing
Power supply	24 V (ac) ±10%, 60 Hz, 3 VA min, 11 VA max, Class 2
End switch relay	24 V (ac) 2 A
Zone pump relays	115 V (ac) 5 A
Zone power input	115 V (ac) 12 A max
Sensors	NTC thermistor, 10 kΩ @ 77°F (25°C ±0.2°C) β=3892
-Included	None
-Optional	Outdoor Sensor 070
Warranty	Limited 3 Year (See D314 for full warranty)

Features

- Four 115 V (ac) powered pump outputs
- For use with tekmarNet® 2 thermostats ONLY
- Supports two-stage tekmarNet® 2 thermostats
- tN4 expansion terminals
- Isolated end switch
- Outdoor sensor input
- External diagnostic LEDs
- CSA C US Certified for use in USA and Canada

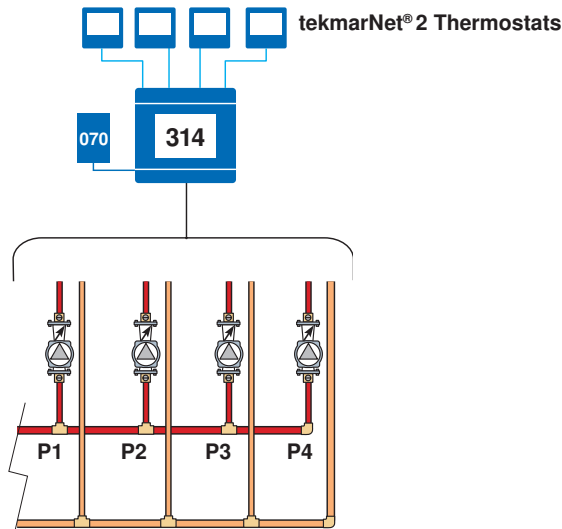
SPECIAL REQUIREMENTS

This control is designed for use ONLY with tekmarNet® 2 Thermostats.

Sample Application Drawing

Below is a sample application drawing for this product. This application may include other tekmar products that are required for installation. More sample applications can be found at www.tekmarcontrols.com.

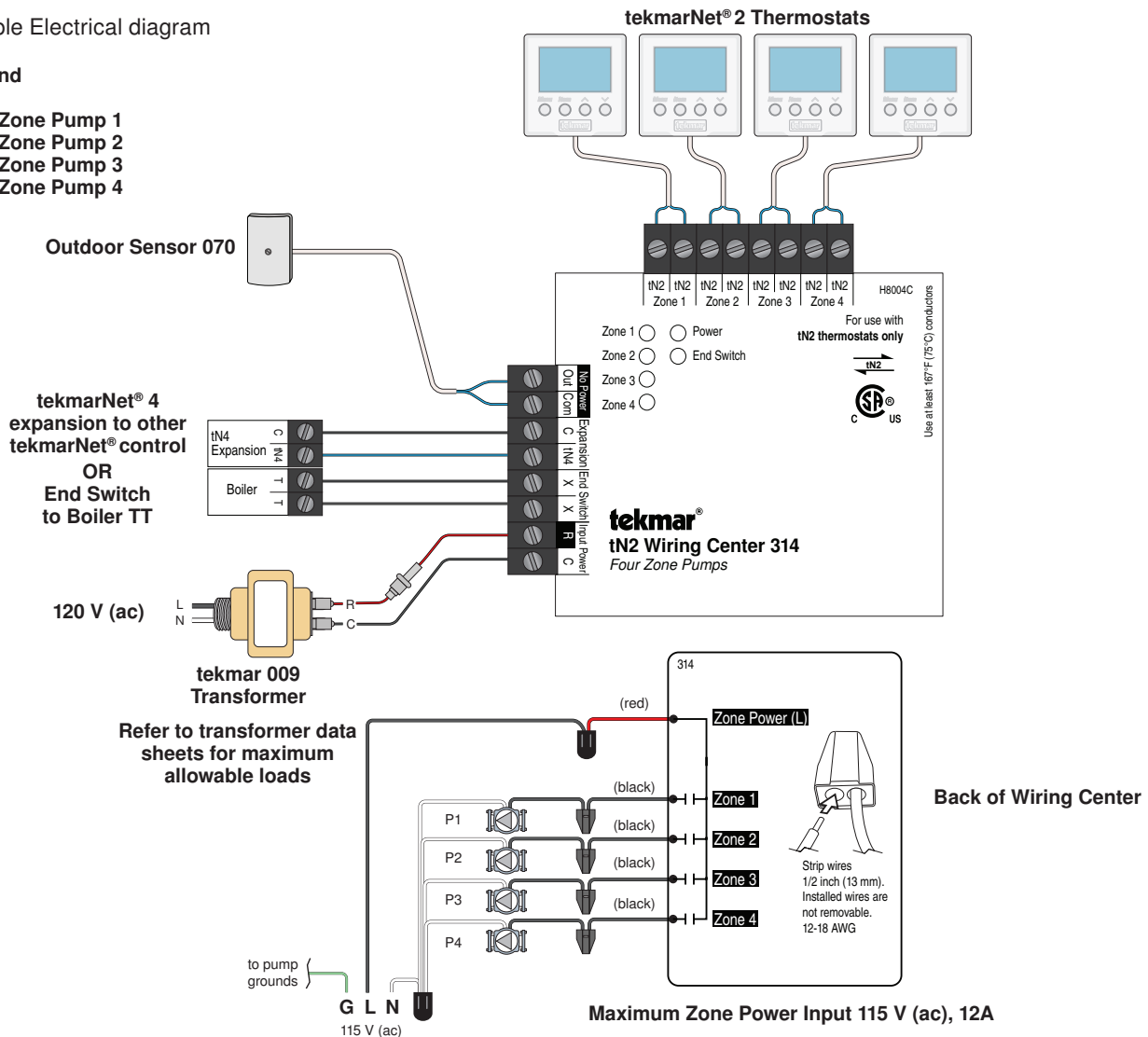
Sample Mechanical diagram



Sample Electrical diagram

Legend

- P1 = Zone Pump 1
- P2 = Zone Pump 2
- P3 = Zone Pump 3
- P4 = Zone Pump 4



tekmar Control Systems Ltd., Canada, tekmar Control Systems, Inc., U.S.A. Head Office: 5100 Silver Star Road, Vernon, B.C. Canada V1B 3K4, 250-545-7749, Fax. 250-545-0650 Web Site: www.tekmarcontrols.com

