



Zoning

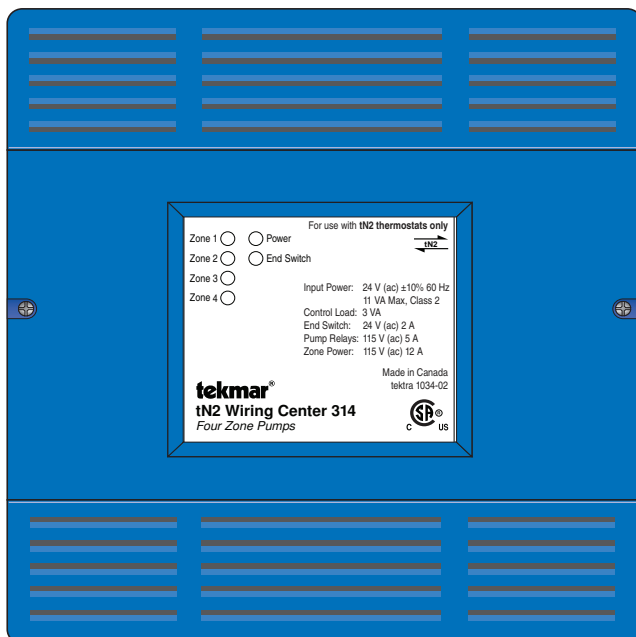
D314

11/10

Replaces: 10/09

Introduction

The tekmarNet®2 (tN2) Wiring Center 314 is designed to operate up to four zone pumps in a hydronic heating system. It provides a convenient location to wire both thermostats and zone pumps while only requiring two wires to be run back to the mechanical room. When combined with tekmarNet®2 Thermostats, all devices communicate to provide a synchronized end switch that reduces cycling of equipment.



Features

- Four 115 V (ac) powered zone outputs
- For use with tekmarNet®2 Thermostats
- Supports two-stage tekmarNet®2 Thermostats
- tN4 expansion terminals
- Isolated end switch
- External diagnostic LEDs
- CSA C US Certified for use in USA and Canada

Benefits

- Simple, convenient wiring location
- Compact enclosure for flexible installation
- Reduce equipment cycling through the use of tekmarNet®2 Thermostats

Notes

- Not for use with tekmarNet®4 Thermostats

Table of Contents

Installation	2	Sequence of Operation	10
Preparation.....	2	tekmarNet® System	10
Physical Dimensions	3	Relay Outputs.....	10
Installation Location	3	Energy Saving Features.....	11
Rough-In Wiring	3	Troubleshooting.....	11
Sizing the Transformer	4	Frequently Asked Questions	11
Control Wiring	4	Technical Data.....	12
Testing the Control Wiring	6	Limited Warranty and Product Return Procedure	12
Applications.....	7		
User Interface.....	10		
LEDs	10		

Getting Started

Congratulations on the purchase of your new tekmarNet® Wiring Center!

This manual covers the complete installation, programming and sequence of operation for this control. You will also find instruction on testing, commissioning, and troubleshooting the control and system that it operates.

Installation

Caution

Improper installation and operation of this control could result in damage to the equipment and possibly even personal injury or death. It is your responsibility to ensure that this control is safely installed according to all applicable codes and standards. This electronic control is not intended for use as a primary limit control. Other controls that are intended and certified as safety limits must be placed into

the control circuit. Do not attempt to service the control. Refer to qualified personnel for servicing. There are no user serviceable parts. Attempting to do so voids warranty and could result in damage to the equipment and possibly even personal injury or death.

Radio Frequency Interference

The installer must ensure that this control and its wiring are isolated and/or shielded from strong sources of electromagnetic noise. Conversely, this Class B digital apparatus complies with Part 15 of the FCC Rules and meets all requirements of the Canadian Interference-Causing Equipment Regulations. However, if this control does cause harmful interference to radio or television reception, which is determined by turning the control off and on, the user is encouraged to try

to correct the interference by re-orientating or relocating the receiving antenna, relocating the receiver with respect to this control, and/or connecting the control to a different circuit from that to which the receiver is connected.

Cet appareil numérique de la classe B respecte toutes les exigences du Règlement sur le matériel brouilleur du Canada.

Preparation

Tools Required

- tekmar or jeweller screwdriver
- Phillips head screwdriver
- Needle-nose pliers
- Wire stripper

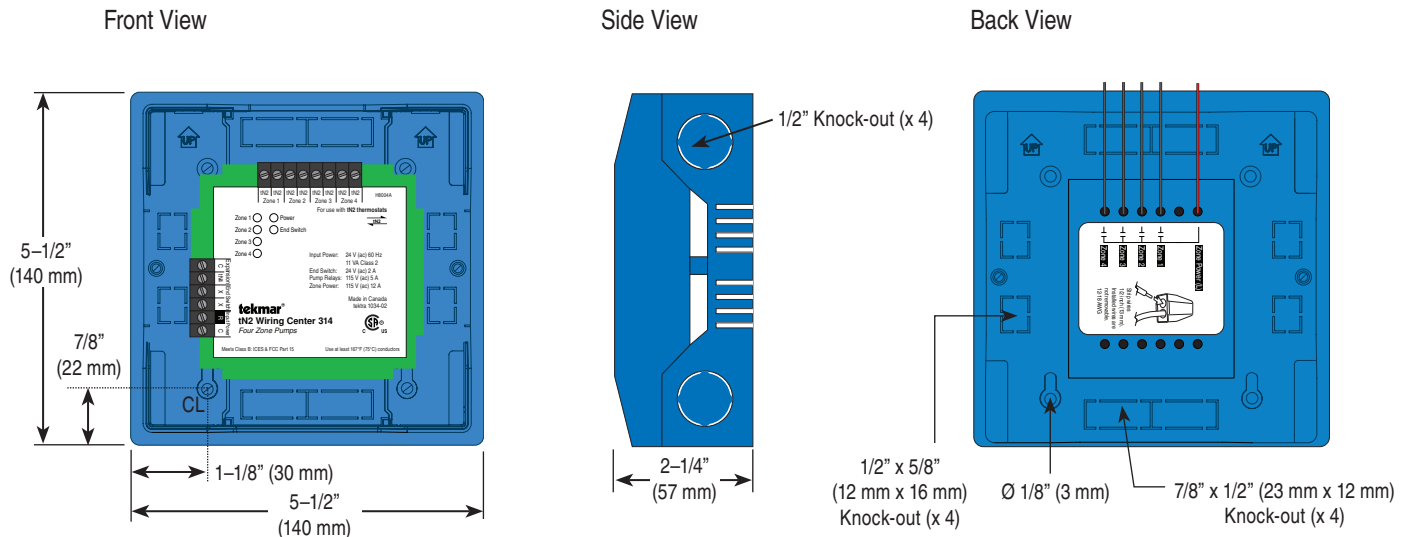
Materials Required

- (2) #10 x 1" wood screws
- (2) Wire nuts
- 18 AWG LVT solid wire (low voltage connections)
- 14 AWG solid wire (line voltage connections)
- tekmar 009K (24 V (ac) transformer with 4" x 4" junction box)
- Cable or conduit connectors

Power Required

- 120 V (ac), 1-phase, 15 A service from circuit breaker panel
- Power disconnect (optional)

Physical Dimensions



Installation Location

- When choosing the location for the control, consider the following:
- Keep dry. Avoid potential leakage onto the control.
RH ≤ 90% to 122°F (50°C).
Non-condensing environment.
- Do not expose to operating temperatures beyond 32-122°F (0-50°C).
- Provide adequate ventilation.
- Keep away from equipment, appliances or other sources of electrical interference.
- Locate the control near pumps if possible.
- Provide easy access for wiring and viewing the control.
- Mount approximately 5 ft. (1.5 m) off the finished floor.
- Install the electrical junction box to a wall using #10 x 1" wood screws. Wall anchors are recommended when mounting to sheet rock, wallboard or masonry.

Rough-In Wiring

Line Voltage Wiring

The control may be mounted to a 4" x 4" electrical junction box so that the high voltage electrical connections for the transformer are safely contained.

For ease of service, the circuit breaker or power disconnect should be located in reasonably close proximity to the equipment.

All line voltage wire connections are recommended to be pulled inside a flexible or solid conduit. Always follow proper wiring practices, building and electrical codes for your jurisdiction.

Each cable must be pulled to the electrical junction box. It is recommended to label each cable for easy identification. All line voltage wires should be stripped to a length of 1/2" (13 mm).

Pull a three conductor 14 AWG cable for the following equipment:

- Circuit Breaker or Power Disconnect (if applicable)
- Zone Pumps

Low Voltage Wiring

Each cable must be pulled from the equipment to the control's plastic enclosure. All low voltage wiring connections enter the enclosure through conduit knockouts on the sides, or through the square knockouts on the rear. It is recommended to label each cable for easy identification. All low voltage wires are to be stripped to a length of 3/8" (9 mm) to ensure proper connection to the control.

Pull two conductor 18 AWG LVT cable, up to 500 feet (150 m) for the following equipment:

- tekmarNet®2 Thermostats
- tekmarNet®2 House Control (if applicable)
- 24 V (ac) Power
- Boiler T-T (If using End Switch)

Pull three conductor 18 AWG LVT cable for the following equipment:

- tekmarNet®4 Accessories (User Switch, Timer)

Sizing the Transformer

The control requires an external transformer with 20 VA capacity or greater. A tekmar Transformer 009 (or 009K which includes a 4" x 4" electrical box) can supply up to 40

VA, and includes an in-line fuse to protect the transformer and control.

Control Wiring

Line Voltage Wiring

CAUTION: TURN ALL POWER OFF BEFORE PERFORMING ANY WIRING.

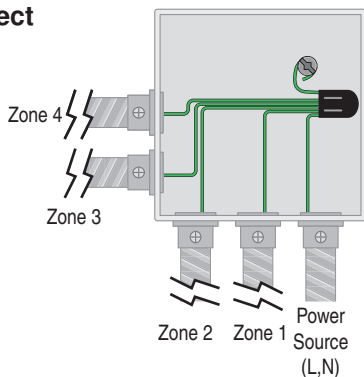
Wire the Pump Grounds

- Connect the pump grounds to the power supply ground as shown in Figure 1. The ground wire must also be grounded to the electrical box.

Wire the Pump Neutrals (N)

- Connect the Neutral (N) wires from each pump and wire to the 115 V (ac) Neutral (N) wire. If the transformer has been mounted to this electrical box, connect its neutral wire with this group. This is shown in Figure 2.

Figure 1 - Connect Ground Wires



Wire the Pump Power (L)

- Connect the 115 V (ac) line voltage (L) wire to the red Pump Power (L) wire on the back of the Wiring Center and to the 115 V (ac) side of the transformer. Use a wire nut or approved connector. See Figure 3.

Wire the Pumps

- Wire each remaining line voltage pump wire into the push-in wire connector of the corresponding pump lead on the back of the Wiring Center. This is shown in Figure 4.

Figure 2 - Connect Neutral Wires

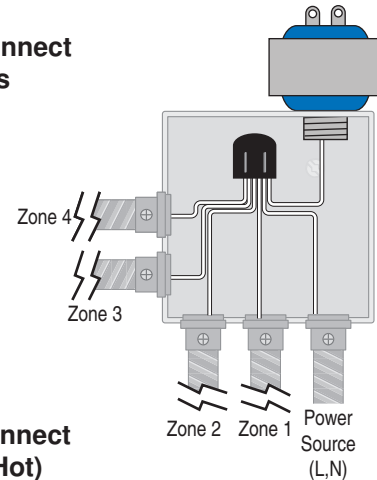


Figure 3 - Connect Line Voltage (Hot)

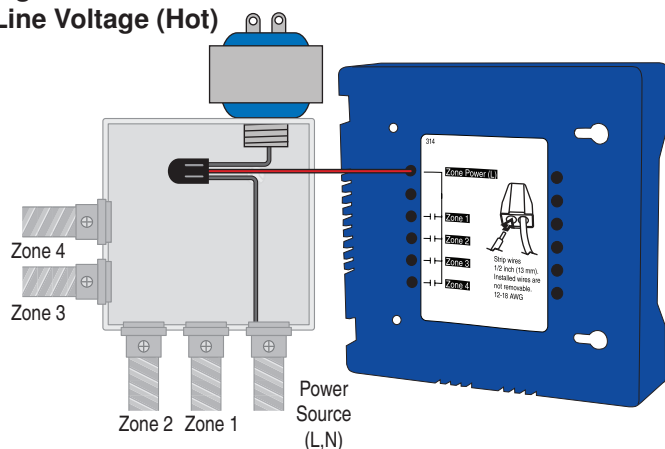
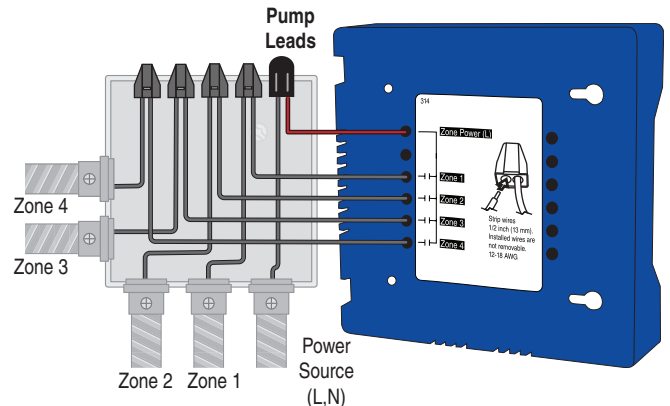
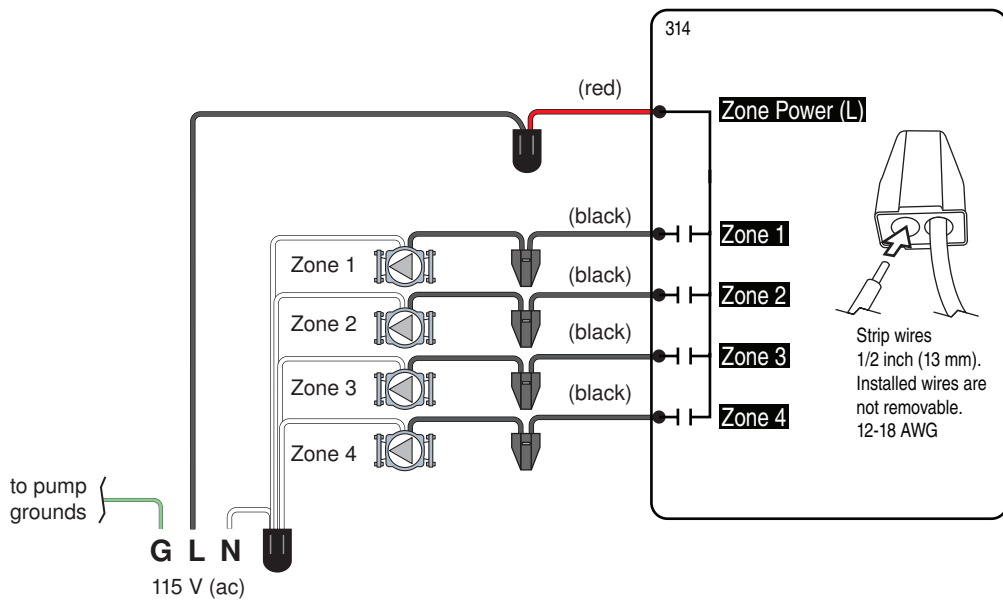


Figure 4 - Connect Pump Line (Hot)

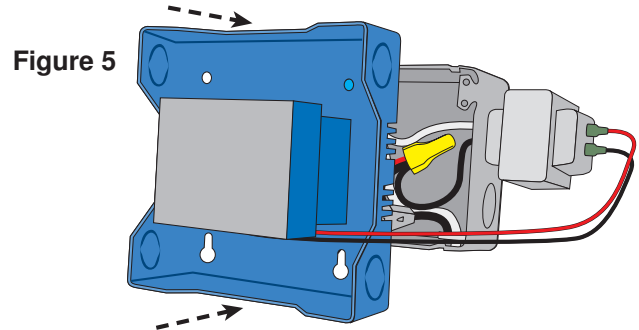


Rear Line Voltage Wiring Diagram



Install The Enclosure

- Ensure that the high voltage wires are neatly tucked inside the electrical box.
- Using 2 of the 4 holes in the back of the enclosure, securely fasten it to the electrical junction box with 2 #10 screws as shown in Figure 5.



Low Voltage Wiring

External Power Supply

It is strongly recommended that a transformer with an in-line fuse be used in order to protect the transformer from high currents. The tekmar Transformer 009 includes a fuse.

- Connect the 24 V (ac) leads from the transformer to the C and R terminals marked “Input Power” on the 314.

tN2 Thermostats

The 314 is designed to operate with tekmarNet[®]2 Thermostats. They provide the heating and cooling control for each zone, and communicate with any other tekmarNet[®] device on the system.

- Connect the tN2 terminals from each thermostat to the corresponding tN2 terminals for each zone on the 314.

tN4 Expansion Terminals

The 314 uses the Expansion tN4 and C terminals to communicate with additional Wiring Centers, House Controls, and other tekmarNet[®] devices.

- Connect the tN4 and C Expansion terminals on the 314 to the corresponding tN4 and C Expansion terminals of the additional external device.

Wiring the End Switch

The 314 can operate a single on-off boiler or provide a demand to a tekmar control.

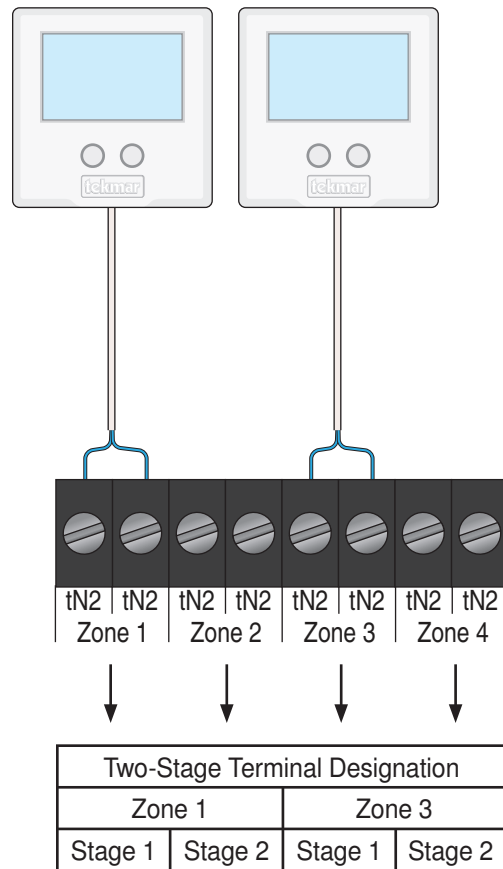
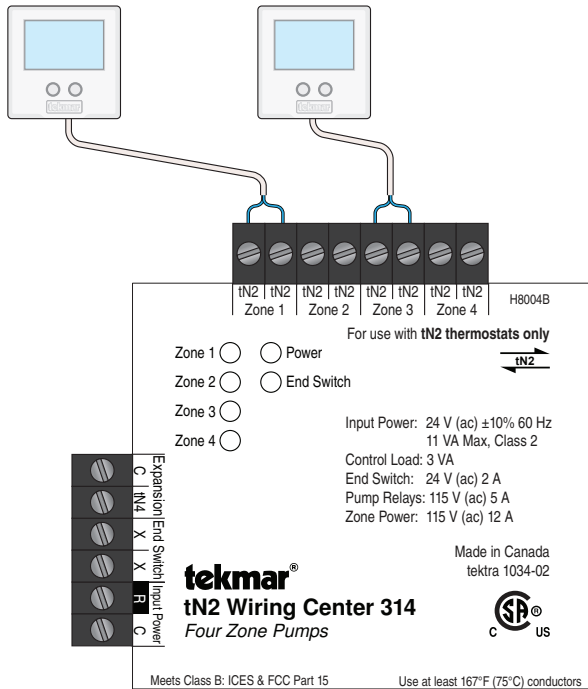
- Connect the X X End Switch terminals on the 314 to the T-T (or R-W) terminals on the boiler.
- If required, use the X X End Switch terminals to switch 24 V (ac) to power a demand on a tekmar outdoor reset control.

Two-Stage Thermostat Wiring

Two-Stage tN2 Thermostats

A two-stage thermostat is automatically detected when connected to Zone 1 or Zone 3. If there is no tN2 thermostat connected to Zone 2 or Zone 4, these outputs will automatically operate the heating equipment for 2nd stage heat.

tekmarNet®2 Two-Stage Thermostats



Testing the Control Wiring

Testing the Power

If the control Power light does not turn on, check the Input Power wiring terminals using an electrical multimeter. The voltage should measure between 21.6 to 26.4 V (ac). If the voltage is below this range, measure the line voltage side of the transformer. The voltage should measure between 103.5 to 126.5 V (ac).

Testing the Thermostats

If the thermostat display turns on, this indicates that the thermostat is operating correctly and there are no electrical issues. In the event that the display is off, or the display is cycling on and off, follow this procedure.

1. Remove the tN2 wires from the thermostat.
2. Use an electrical meter to measure DC voltage between the tN2 terminals.

If the DC voltage is 0 V (dc) for 20 seconds, then there is an open or short circuit in the tN2 wires. If the DC voltage is 0 V (dc) for 10 seconds and then is 23 to 24 V (dc) for 5 seconds, this indicates the wiring is correct.

3. Connect the thermostat to the tN2 wires from a zone on a House Control, Wiring Center, or Zone Manager.
4. If the thermostat display is off, or is cycling on and off, move the thermostat to the next available zone on the House Control, Wiring Center, or Zone Manager.

If the thermostat display remains permanently on, there may be a fault with the previously tried zone on the House Control, Wiring Center, or Zone Manager.

If the thermostat display continues to be off, or is cycling on and off, there may be a fault on the thermostat.

If a fault is suspected, contact your tekmar sales representative for assistance.

Testing the Zone Output

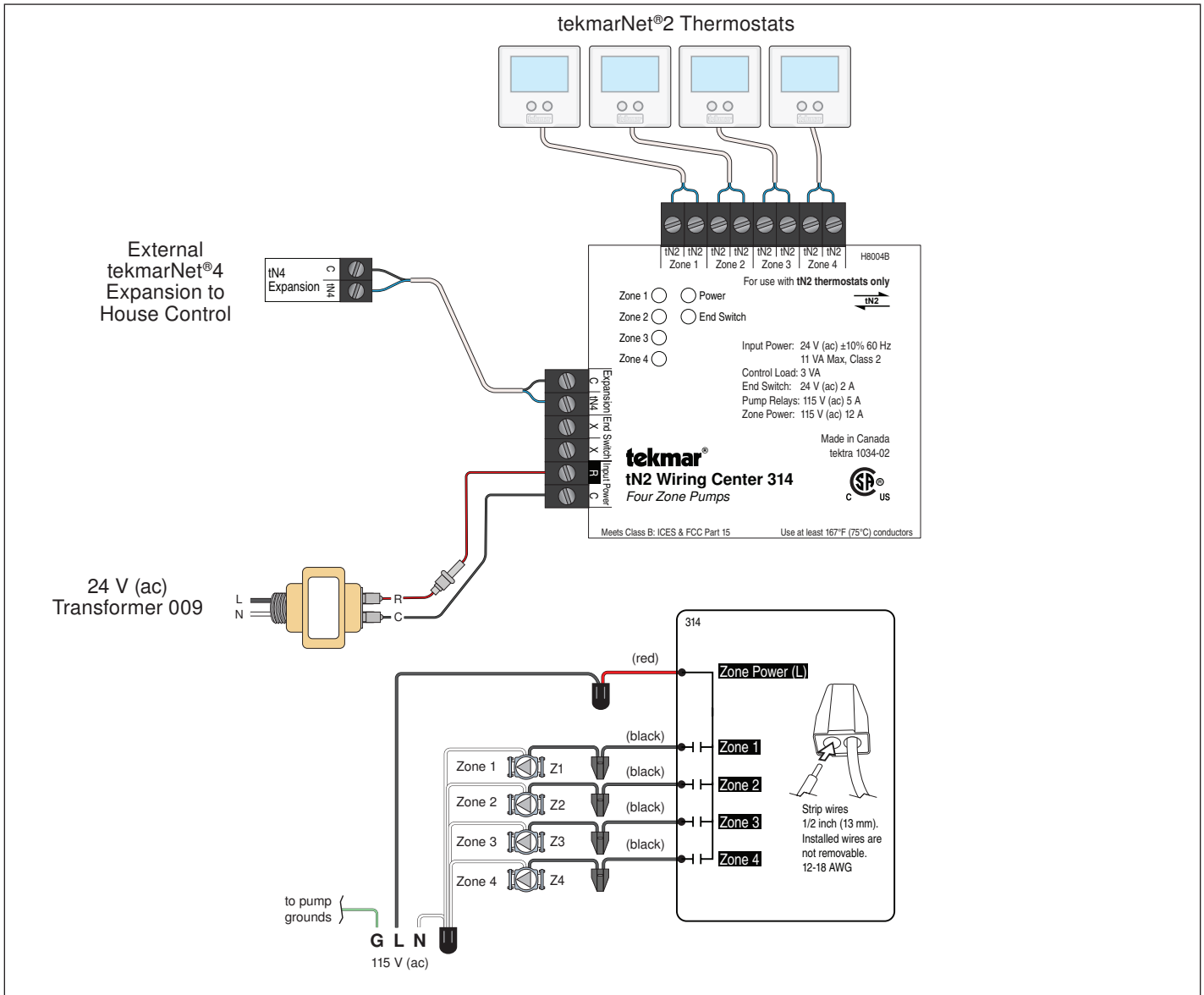
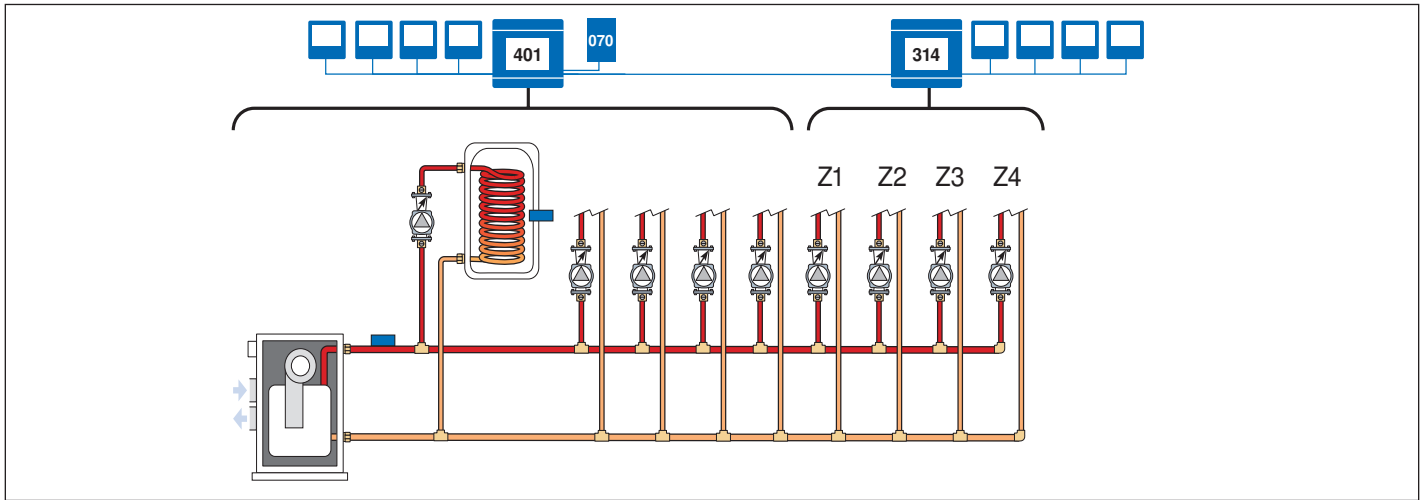
Turn up the thermostat connected to Zone 1 until it calls for heat showing the H1 on the display. Using an electrical meter, measure the voltage between the zone pump and the neutral (N) wire. The voltage should measure between 103.5 V (ac) and 126.5 V (ac). Repeat for Zones 2, 3, and 4.

Applications

tekmarNet[®]4 Expansion to House Control

A314-1

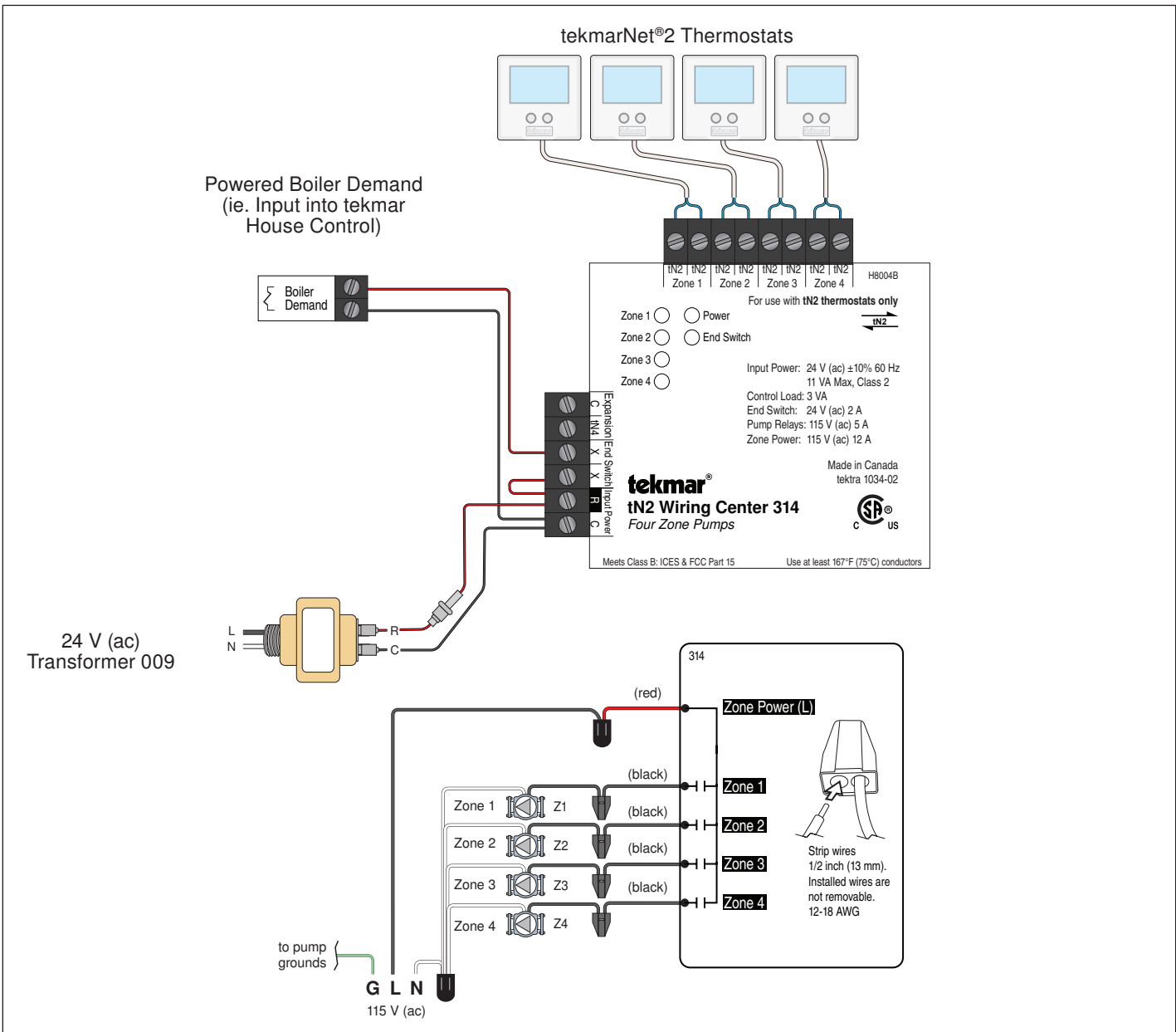
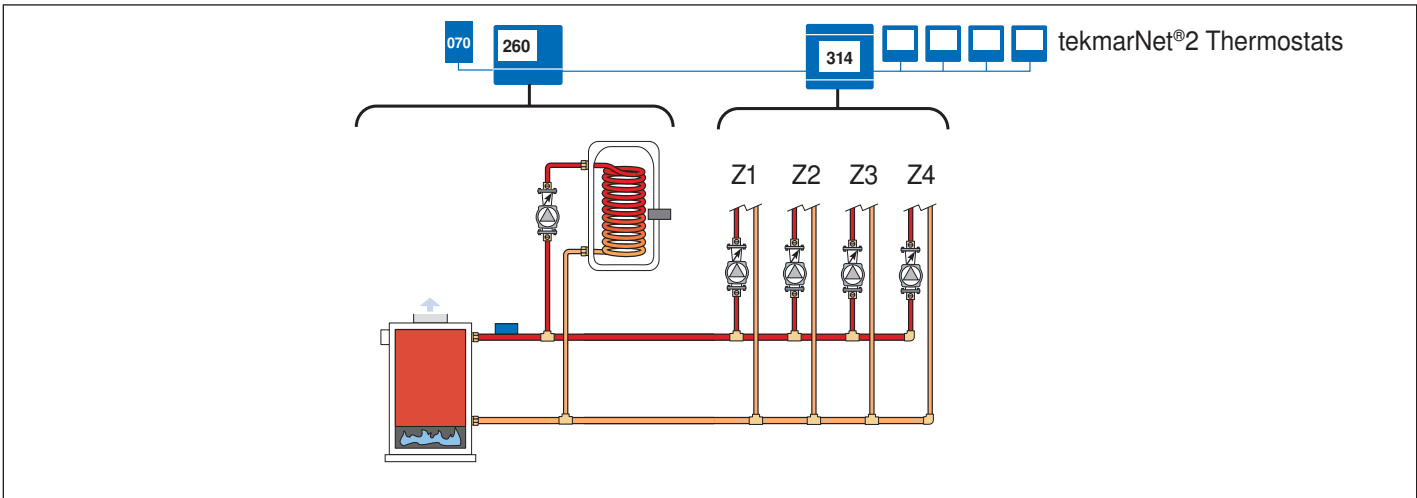
Description: tN2 Wiring Center 314, four tekmarNet[®]2 Thermostats, and four zone pumps wired into a tekmar tN2 House Control 401 which controls the boiler and DHW pump.



End Switch (X-X) To Powered Boiler Demand

A314-2

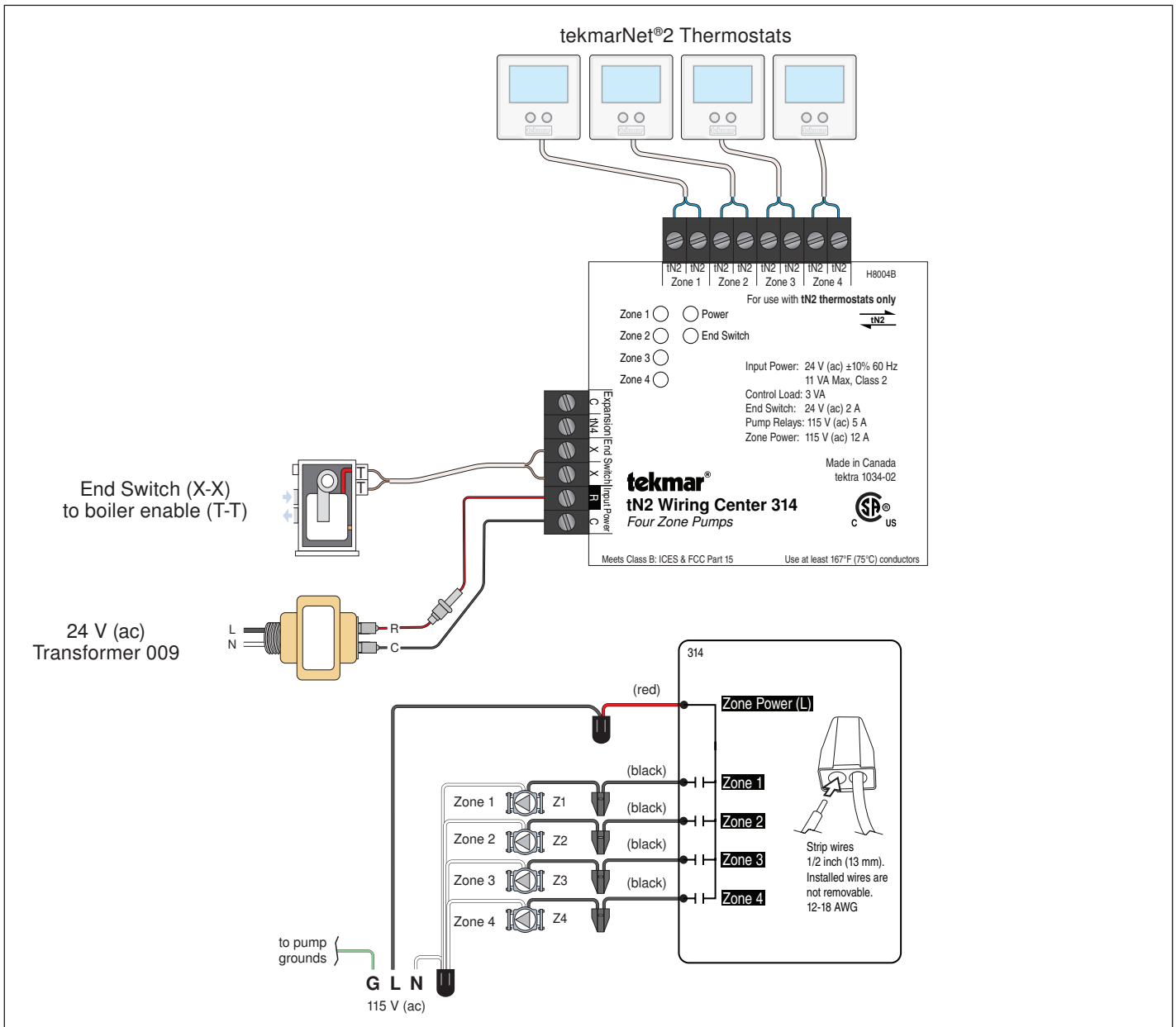
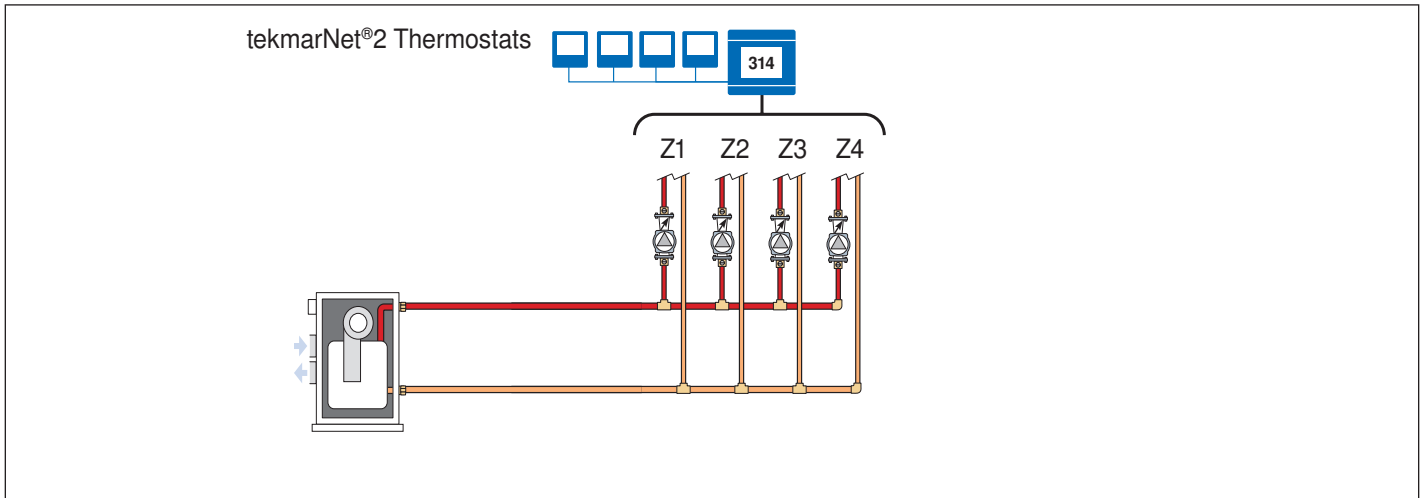
Description: tN2 Wiring Center 314, four tekmarNet®2 Thermostats, and four zone pumps wired into a powered boiler demand input on a device such as a tekmar Boiler Control 260 which controls the boiler and DHW pump.



End Switch (X-X) To Boiler Enable (T-T)







A314-3

Description: tN2 Wiring Center 314, four tekmarNet®2 Thermostats, and four zone pumps wired into the T-T terminals on the boiler to give an enable.

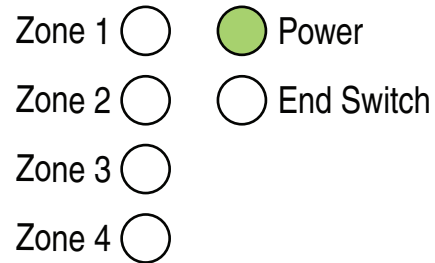


User Interface

LEDs

	ZONE 1 The zone 1 thermostat is calling for heat and the 115 V (ac) output is energized.
	ZONE 2 The zone 2 thermostat is calling for heat and the 115 V (ac) output is energized.
	ZONE 3 The zone 3 thermostat is calling for heat and the 115 V (ac) output is energized.
	ZONE 4 The zone 4 thermostat is calling for heat and the 115 V (ac) output is energized.
	POWER 24 V (ac) is being applied to the Wiring Center to provide it with power.
	END SWITCH At least one of the zone thermostats are calling for heat and the end switch relay output is closed.

Wiring Center 314



Zone LED Flashing

The zone has an open or short circuit and communication to the thermostat on the zone has been interrupted. Check the wiring between the thermostat and the Wiring Center for open or short circuits. If the thermostat was intentionally removed, power the Wiring Center off for 10 seconds.

Sequence of Operation

tekmarNet® System

Section A

tekmarNet® is a family of products that use communication to operate the HVAC system in a comfortable and efficient manner. The Wiring Center is a central component in a tekmarNet® system and requires tekmarNet®2 (tN2) Thermostats to be directly connected to it.

The tekmarNet®4 (tN4) Expansion terminals can link the Wiring Center with other tekmarNet® components:

- House Controls 400, 401, 402, 403 - Provides boiler and DHW control

- Wiring Centers 313, 314, 315, 316 - Add additional zones
- tN4 Thermostats - Add thermostats
- tN4 Timer 033 - Adds 4 programmable schedules
- tN4 User Switch 479 - Provides a system override for vacations and holidays
- tN4 Setpoint Control 161, 162 - Control hot tubs, pools and more.

Relay Outputs

Section B

Synchronized End Switch Operation

tekmarNet®2 thermostats provide the Wiring Center with a synchronized end switch feature. This 'synchronizes' the start times of the zones and reduces short cycling of equipment connected to the wiring center's end switch. The net effect is increased system efficiency and reduced wear on equipment.

The End Switch relay ('XX') closes and the end switch LED turns on. The switch remains closed as long as any zone is calling for heat. This can provide a boiler demand to a tekmar reset control, or provide a boiler enable to a boiler's TT terminals.

- If the Wiring Center is connected to a tN4 bus, all communication messages will pass through the 314's tN4 expansion connection. tN4 messages are required in order to create a boiler demand on a device such as a tekmar House Control 400.

115 V (ac) Zone Relay Operation

When a thermostat calls for heat, it sends a message to the Wiring Center and the corresponding zone LED turns on. Power is then supplied to the appropriate zone output as indicated by the LED.

Network Schedules

Adding a schedule to a tekmarNet® system is both easy and valuable. A Timer 033 provides scheduling with up to 4 events per day for every tekmarNet® Thermostat. Turning down the room temperatures when they are unoccupied reduces boiler on-time and energy consumption which helps save money and the environment.

One-Touch Economy

A User Switch 479 allows for one-touch overrides of the system. For example, if leaving the building for vacation, simply press the “Away” button and all the thermostats will immediately operate at a lower temperature, instead of having to walk around the building lowering the heating temperature setting and raising the cooling temperature setting on each thermostat.

Zone Synchronization

Another feature of the Wiring Center is Zone Synchronization. In typical zoned systems, the thermostats operate on a stand-alone basis. This means that a zone turns on and off as required without any regard for other zones. The net effect is random operation of the zones causing short cycling of the heat source. tekmarNet® thermostats communicate to ensure that their cycles are synchronized. Energy is saved by ensuring zones requiring heat operate on the same cycle, therefore reducing short cycling of the boiler.

Troubleshooting

Frequently Asked Questions

Symptom	Look For...	Corrective Action
Power LED is off	Power to control	Use electrical meter to measure 24 V (ac) voltage on input power R and C terminals.
No central heating	Zone LEDs	If there are no green Zone LEDs, there are no thermostats calling for heat.
	System in AWAY	During AWAY, the thermostats operate at a lower temperature. Locate a ‘User Switch’ and set to Normal to resume heating.
Single zone over heating	LED shows zone on	Thermostats have a differential of +/- 1.5° F (0.8 °C) of the temperature setting. Due to the display rounding numbers up, heating can appear on when the temperature is 2° F (1.1 °C) above the setting. This is normal operation.
	LED shows zone off	Ensure zone pump terminals measure 0 V (ac). Measuring 0 V (ac) indicates the control relay is functioning correctly and the problem may be related to the mechanical piping. Measuring 115 V (ac) indicates control relay may have failed.
Single zone under heating	LED shows zone on	Ensure zone pump terminals measure 115 V (ac). Measuring 115 V (ac) indicates the control relay is functioning correctly and the problem may be related to the mechanical piping. Measuring 0 V (ac) indicates control relay may have failed.
	LED shows zone off	Check the thermostat to see if it is calling for heat (H1 displayed on the screen).
	Zone LED flashing	The zone has an open or short circuit and communication to the thermostat on the zone has been interrupted. Check the wiring between the thermostat and the Wiring Center for open or short circuits. If the thermostat was intentionally removed, power the Wiring Center off for 10 seconds.

Technical Data

tN2 Wiring Center 314 <i>Four Zone Pumps</i>	
Literature	D314, Q314
Control	Microprocessor control. This is not a safety (limit) control.
Packaged weight	1.4 lbs (640 g)
Dimensions	5.5" H x 5.5" W x 2.25" D (140 x 140 x 57 mm)
Enclosure	NEMA 1 rated, Blue PC+ABS plastic
Approvals	CSA C US, meets class B: ICES & FCC Part 15
Ambient conditions	Indoor use only, 32 to 122°F (0 to 50°C), RH ≤ 90% Non-condensing
Power supply	24 V (ac) ±10% 60 Hz, 3 VA min, 11 VA max, Class 2
Zone pump relays	115 V (ac) 5 A
End switch relay	24 V (ac) 2 A
Zone power input	115 V (ac) 12 A max
Warranty	Limited 3 Year

Limited Warranty and Product Return Procedure

Limited Warranty *The liability of tekmar under this warranty is limited. The Purchaser, by taking receipt of any tekmar product ("Product"), acknowledges the terms of the Limited Warranty in effect at the time of such Product sale and acknowledges that it has read and understands same.*

The tekmar Limited Warranty to the Purchaser on the Products sold hereunder is a manufacturer's pass-through warranty which the Purchaser is authorized to pass through to its customers. Under the Limited Warranty, each tekmar Product is warranted against defects in workmanship and materials if the Product is installed and used in compliance with tekmar's instructions, ordinary wear and tear excepted. The pass-through warranty period is for a period of twenty-four (24) months from the production date if the Product is not installed during that period, or twelve (12) months from the documented date of installation if installed within twenty-four (24) months from the production date.

The liability of tekmar under the Limited Warranty shall be limited to, at tekmar's sole discretion: the cost of parts and labor provided by tekmar to repair defects in materials and/or workmanship of the defective product; or to the exchange of the defective product for a warranty replacement product; or to the granting of credit limited to the original cost of the defective product, and such repair, exchange or credit shall be the sole remedy available from tekmar, and, without limiting the foregoing in any way, tekmar is not responsible, in contract, tort or strict product liability, for any other losses, costs, expenses, inconveniences, or damages, whether direct, indirect, special, secondary, incidental or consequential, arising from ownership or use of the product, or from defects in workmanship or materials, including any liability for fundamental breach of contract.

The pass-through Limited Warranty applies only to those defective Products returned to tekmar during the warranty period. This Limited Warranty does not cover the cost of the parts or labor to remove or transport the defective Product, or to reinstall the repaired or replacement Product, all such costs and expenses being subject to Purchaser's agreement and warranty with its customers.

Any representations or warranties about the Products made by Purchaser to its customers which are different from or in excess of the tekmar Limited Warranty are the Purchaser's sole responsibility and obligation. Purchaser shall indemnify and hold tekmar harmless from and against any and all claims, liabilities and damages of any kind or nature which arise out of or are related to any such representations or warranties by Purchaser to its customers.

The pass-through Limited Warranty does not apply if the returned Product has been damaged by negligence by persons other than tekmar, accident, fire, Act of God, abuse or misuse; or has been damaged by modifications, alterations or attachments made subsequent to purchase which have not been authorized by tekmar; or if the Product was not installed in compliance with tekmar's instructions and/or the local codes and ordinances; or if due to defective installation of the Product; or if the Product was not used in compliance with tekmar's instructions.

THIS WARRANTY IS IN LIEU OF ALL OTHER WARRANTIES, EXPRESS OR IMPLIED, WHICH THE GOVERNING LAW ALLOWS PARTIES TO CONTRACTUALLY EXCLUDE, INCLUDING, WITHOUT LIMITATION, IMPLIED WARRANTIES OF MERCHANTABILITY AND FITNESS FOR A PARTICULAR PURPOSE, DURABILITY OR DESCRIPTION OF THE PRODUCT, ITS NON-INFRINGEMENT OF ANY RELEVANT PATENTS OR TRADEMARKS, AND ITS COMPLIANCE WITH OR NON-VIOLATION OF ANY APPLICABLE ENVIRONMENTAL, HEALTH OR SAFETY LEGISLATION; THE TERM OF ANY OTHER WARRANTY NOT HEREBY CONTRACTUALLY EXCLUDED IS LIMITED SUCH THAT IT SHALL NOT EXTEND BEYOND TWENTY-FOUR (24) MONTHS FROM THE PRODUCTION DATE, TO THE EXTENT THAT SUCH LIMITATION IS ALLOWED BY THE GOVERNING LAW.

Product Warranty Return Procedure All Products that are believed to have defects in workmanship or materials must be returned, together with a written description of the defect, to the tekmar Representative assigned to the territory in which such Product is located. If tekmar receives an inquiry from someone other than a tekmar Representative, including an inquiry from Purchaser (if not a tekmar Representative) or Purchaser's customers, regarding a potential warranty claim, tekmar's sole obligation shall be to provide the address and other contact information regarding the appropriate Representative.



tekmar Control Systems Ltd., Canada, tekmar Control Systems, Inc., U.S.A. **Head Office: 5100 Silver Star Road, Vernon, B.C. Canada V1B 3K4, 250-545-7749, Fax. 250-545-0650 Web Site: www.tekmarcontrols.com**

