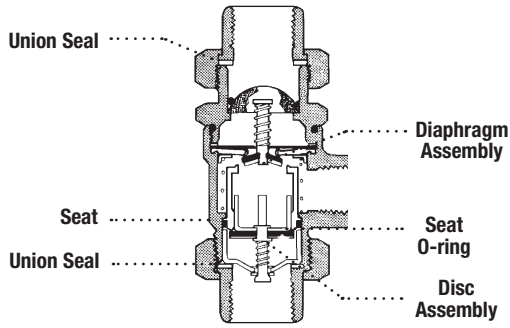


# Repair Kits

When ordering specify Ordering Code, Kit No., and Valve Size.

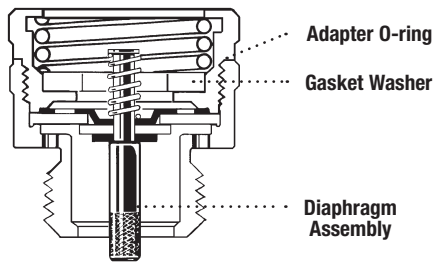
## Series 9D/LF9D



ORDERING CODE	KIT NO.	SIZE
0886010	RK 9DM2 T	1/2" - 3/4"
0886011	RK 9DM3 T	1/2"

Kit consists of: diaphragm assembly, disc assembly, seat, seat O-ring and two union seals

## Series 8A, NF8

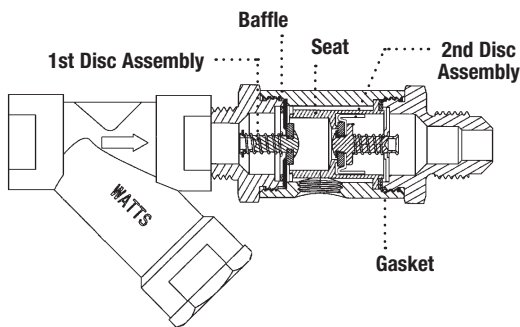


ORDERING CODE	KIT NO.	SIZE
0886013	RK 8A T	3/4"
0886014	RK NF8 T	3/4"

8A Kit consists of: diaphragm assembly, gasket washer and one O-ring

NF8 Kit consists of: diaphragm assembly, gasket washer and three O-rings (adapter O-ring and two sleeve O-rings)

## SD3

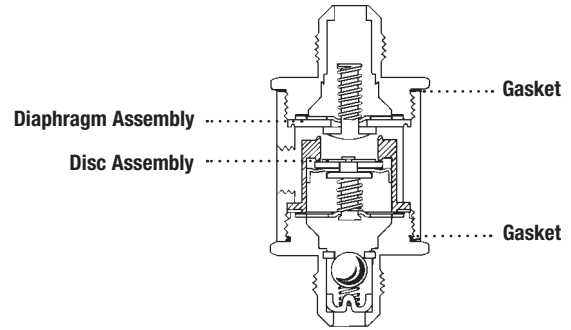


ORDERING CODE	KIT NO.	SIZE
0888556	RK SD3-T	1/4", 3/8"

Kit consists of: 1st & 2nd disc assemblies, baffle, seat and gasket

\*The wetted surface of this product contacted by consumable water contains less than 0.25% of lead by weight.

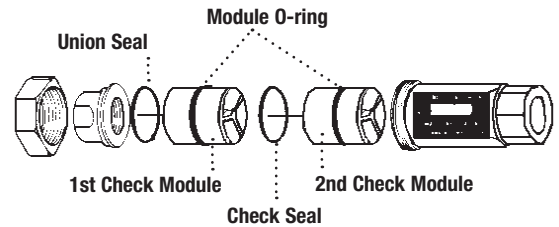
## Series 9BD



ORDERING CODE	KIT NO.	SIZE
0886012	RK 9BD T	1/4", 3/8"

Kit consists of: diaphragm assembly, disc assembly and two gaskets

## Series 7, LF7



ORDERING CODE	KIT NO.	SIZE
0886015	RK 7/CU7 T	1/2" - 1 1/4"
0886009	RK 7/7C T	3/8"
0886016	RK 7B T	3/4"
0886017	RK 07S T	1"

Kit consists of: first and second check modules, two module O-rings, union seal and check seal.

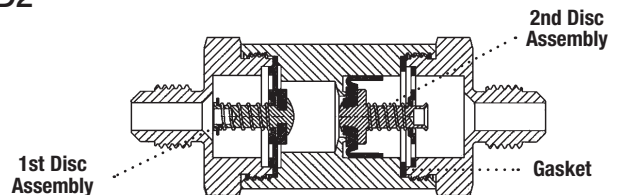
\*Kit consists of: two disc assemblies, two springs, two cover seal O-rings and two union O-rings.

## Series N9, LFN9, NLF9, N9-CD, 912HP

ORDERING CODE	KIT NO.	SIZE
0886019	RK N9/NLF9 T	1/4", 3/8"
0886004	RK N9-CDT	3/4"
0886008	RK 912HP T	3/4" - 1"

Kit No. N9, NLF9 consists of: diaphragm assembly, disc assembly and gasket

## SD2



ORDERING CODE	KIT NO.	SIZE
0888555	RK SD2-T	1/4", 3/8"

Kit includes: 1st & 2nd disc assemblies, and gasket