

Series 009, LF009, LF009-FS

Reduced Pressure Zone Assemblies

Sizes 2 1/2" – 3"

Repair Kits

When ordering specify Ordering Code, Kit No., and Valve Size.

ORDERING CODE	KIT NO.	SIZE
---------------	---------	------

Total Repair Kits»

LEAD FREE	0794051	LFRK 009-T	2 1/2" – 3"
-----------	---------	------------	-------------

Kit consists of: relief valve repair kit, first check repair kit, second check repair kit, retainer (if plastic)

Relief Valve Kits

Total Relief Valve Kit»

LEAD FREE	0794052	LFRK 009 VT	2 1/2" – 3"
-----------	---------	-------------	-------------

Kit consists of: seat, stem assembly, spring, two piston O-rings, flow tube O-ring and cover O-ring.

Relief Valve Rubber Parts»

LEAD FREE	0794053	LFRK 009 RV	2 1/2" – 3"
-----------	---------	-------------	-------------

Kit consists of: diaphragm, disc, molded disc assembly, piston O-ring, stem O-ring and cover O-ring.
Stem O-ring located between stem and piston O-ring.

Check Valve Kits

When ordering specify Ordering Code, Kit No., and Valve Size.

ORDERING CODE	KIT NO.	SIZE
---------------	---------	------

First Check Parts Kit»

LEAD FREE	0794054	LFRK 009 CK1	2 1/2" – 3"
-----------	---------	--------------	-------------

Second Check Parts Kit»

LEAD FREE	0794055	LFRK 009 CK2	2 1/2" – 3"
-----------	---------	--------------	-------------

Kit consists of: check assembly, cover O-ring and flow tube O-ring.

First Check Rubber Parts Kit

LEAD FREE	0887281	RK 009 RC1	2 1/2" – 3"
-----------	---------	------------	-------------

Second Check Rubber Parts Kit

LEAD FREE	0887205	RK 009 RC2	2 1/2" – 3"
-----------	---------	------------	-------------

Kit consists of: disc, seat O-ring, cover O-ring and flow tube O-ring.

Total Rubber Parts

LEAD FREE	0794056	LFRK 009 RT	2 1/2" – 3"
-----------	---------	-------------	-------------

Kit consists of: diaphragm, two molded disc assemblies, two seat O-rings, RV O-ring, two piston O-rings, RV stem O-ring, flow tube O-ring and cover O-ring.

Cover Kit

LEAD FREE	0887282	RK 009 C	2 1/2" – 3"
-----------	---------	----------	-------------

Kit consists of: cover, cover O-ring and flow tube O-ring.

Check Seat Kit

LEAD FREE	0887208	RK 009 S1	2 1/2" – 3"
-----------	---------	-----------	-------------

LEAD FREE	0887209	RK 009 S2	2 1/2" – 3"
-----------	---------	-----------	-------------

Kit consists of: check seat, seat O-ring and cover O-ring.

Sensor Kits

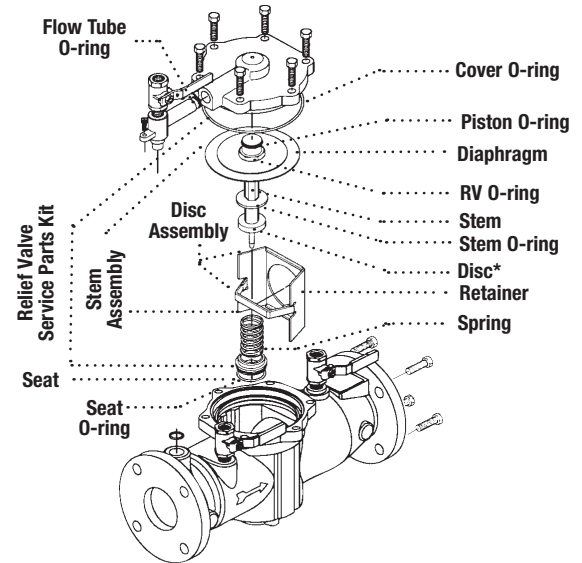
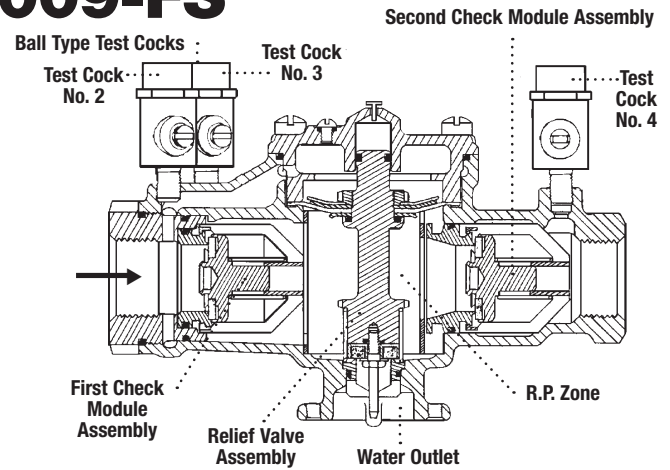
ORDERING CODE	KIT NO.	DESCRIPTION
---------------	---------	-------------

Sensor Connection Kits for LF009-FS sizes 2 1/2" – 3"

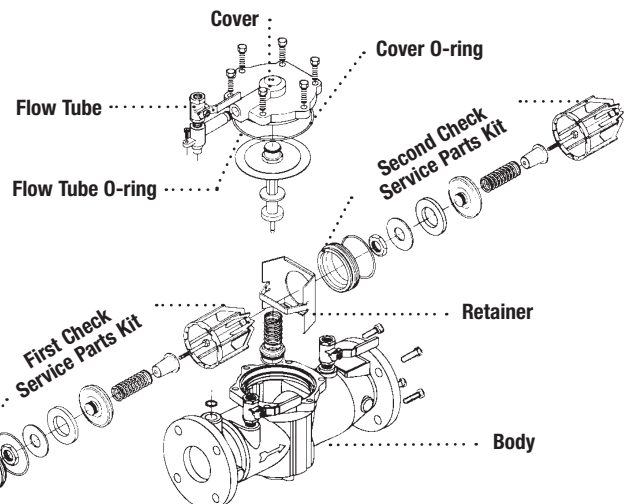
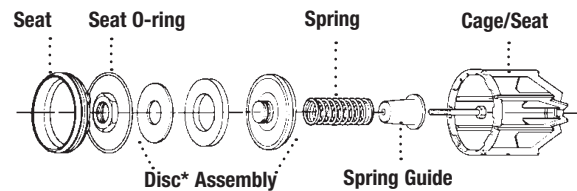
88003056	FP-BF-BMS	BMS Sensor Connection Kit
88003060	FP-BF-CFS	Cellular Sensor Connection Kit

Sensor Retrofit Connection Kits for LF009-FS sizes 2 1/2" – 3"

88003059	FP-RFK-BF-BMS-CFS	BMS Sensor Retrofit Connection Kit
88003063	FP-RFK-BF-CFS	Cellular Sensor Retrofit Connection Kit



Check Assemblies



Rubber seat disc can be replaced. However, disc holder and disc retainer are permanently bonded to prevent failure.

First and Second Check Valve modules are not interchangeable.

*The wetted surface of this product contacted by consumable water contains less than 0.25% of lead by weight.