

# Series 188A, 288A, LF288A, 289, LF289 388ASC, N388, LFN388

## Repair Kits

When ordering specify Ordering Code, Kit No., and Valve Size.

ORDERING CODE	KIT NO.	SIZE
---------------	---------	------

### 188A/288A/388ASC

LEAD FREE	ORDERING CODE	KIT NO.	SIZE
	0887170	RK 188A/288A/388 T	1/4" - 3/8"
	0887171	RK 188A/288A/388 T	1/2"
	0887172	RK 188A/288A/388 T	3/4" - 1"
	0887173	RK 188A/288A/388 T	1 1/4"
	0887174	RK 188A/288A/388 T	1 1/2"
	0887175	RK 188A/288A/388 T	2"
0887176	RK 188A/288A/388 T	2 1/2" - 3"	

### for 288A's with bell shaped hood

LEAD FREE	ORDERING CODE	KIT NO.	SIZE
	0887164	RK 288AZ1 T	1/4" - 3/8"
	0887165	RK 288AZ1 T	1/2"
0887166	RK 288AZ1 T	3/4"	

Kit consists of: disc assembly (includes disc and disc float) and bonnet O-ring.

### 289

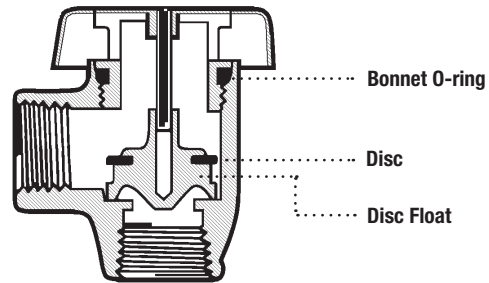
LEAD FREE	ORDERING CODE	KIT NO.	SIZE
	0887177	RK 289 T	3/8" - 1/2"
0887179	RK 289 T	3/4" - 1"	

Kit consists of: check assembly, vent spring, retainer and bonnet O-ring.

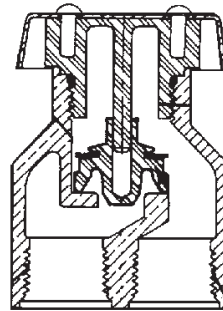
LEAD FREE	ORDERING CODE	KIT NO.	SIZE
	0887178	RK 289 B	3/8" - 1/2"
0887196	RK 289 B	3/4" - 1"	

Kit consists of: bonnet, bonnet O-ring and vent spring.

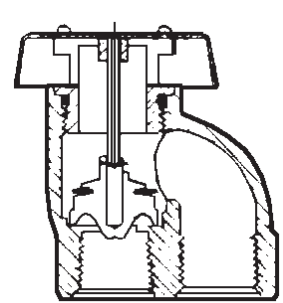
188A/288A/LF288A



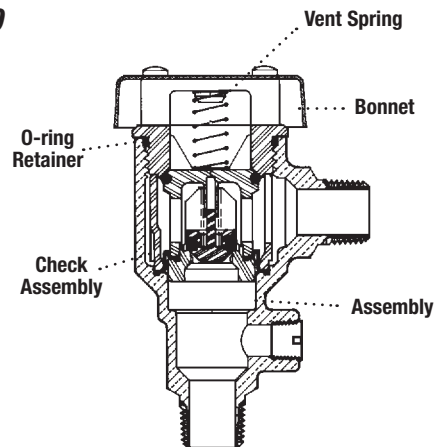
N388/LFN388



388ASC



289/LF289



\*The wetted surface of this product contacted by consumable water contains less than 0.25% of lead by weight.