

Series 774, 774DCDA, 774X, 774XDCDA

Double Check Valve Assemblies Double Check Detector Assemblies

Sizes 2 1/2" – 12"

Repair Kits

When ordering specify Ordering Code, Kit No., and Valve Size.

ORDERING CODE	KIT NO.	SIZE	FOR USE WITH MODEL #S
---------------	---------	------	-----------------------

First Check Kit

LEAD FREE	ORDERING CODE	KIT NO.	SIZE	FOR USE WITH MODEL #S
	0888820	RK 774/774DCDA CK 1	2 1/2", 3", 4"	2 1/2"-4" 774/774DCDA/6" 774X/774XDCDA
	0888821	RK 774/774DCDA CK 1	6"	6" 774/774DCDA/8" 774X/774XDCDA
	0888827	RK 774/774DCDA CK4	8" – 12"	774/774DCDA

Kit consists of: complete #1 cam check with check O-ring.

Second Check Kit

LEAD FREE	ORDERING CODE	KIT NO.	SIZE	FOR USE WITH MODEL #S
	0888822	RK 774/774DCDA CK 2	2 1/2", 3", 4"	2 1/2"-4" 774/774DCDA/6" 774X/774XDCDA
	0888823	RK 774/774DCDA CK 2	6"	6" 774/774DCDA/8" 774X/774XDCDA
	0888827	RK 774/774DCDA CK4	8" – 12"	774/774DCDA

Kit consists of: complete #2 cam check with check O-ring.

Cover Kit

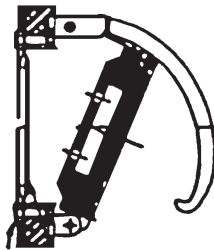
LEAD FREE	ORDERING CODE	KIT NO.	SIZE	FOR USE WITH MODEL #S
	0888824	RK 774/774DCDA C	2 1/2", 3", 4"	2 1/2"-4" 774/774DCDA
	0888825	RK 774/774DCDA C	6"	6" 774/774DCDA/8" 774X/774XDCDA
	0888826	RK 774X/774XDCDA C	6"	6" 774X/774XDCDA
	0888828	RK 774/774DCDA C	8" – 12"	774/774DCDA

Kit consists of: cover; grooved coupler & gasket.

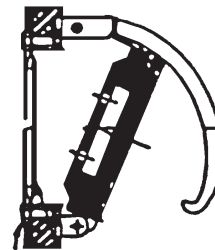
For 6" 774X 1st & 2nd check, use RK 774 CK1 & CK2 4"
For 8" 774X 1st & 2nd check, use RK 774 CK1 & CK2 6"
For 8" 774X cover kit, use RK 774 C 6"

For 6" 774XDCDA 1st & 2nd check, use RK 774DCDA CK1 & CK2 4"
For 8" 774XDCDA 1st & 2nd check, use RK 774DCDA CK1 & CK2 6"
For 8" 774XDCDA cover kit, use RK 774DCDA C 6"

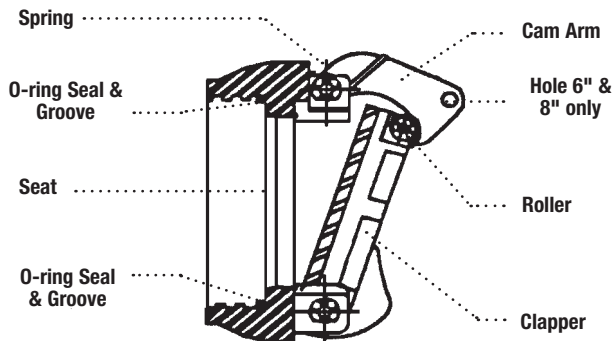
First Check 8" – 12"



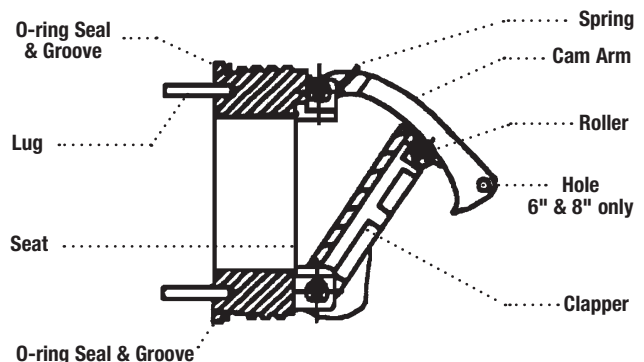
Second Check 8" – 12"



First Check 2 1/2" – 6"



Second Check 2 1/2" – 6"



*The wetted surface of this product contacted by consumable water contains less than 0.25% of lead by weight.