

Engineering Specification

Job Name _____

Contractor _____

Job Location _____

Approval _____

Engineer _____

Contractor's P.O. No. _____

Approval _____

Representative _____

LEAD FREE*

MasterSeries® LF880W/WZ Reduced Pressure Zone Backflow Prevention Assemblies

Size: 4" - 10"

The FEBCO® MasterSeries® LF880W/WZ Reduced Pressure Zone Assembly is specifically designed to provide drop-in replacement of competitor's valves in either the N-pattern (LF880W) or Z-Pattern (LF880WZ) orientation. It protects against possible backpressure and backsiphonage conditions for high hazard (that is, toxic) application in accordance with Local Governing Water Utility Code. This Backflow Assembly is primarily used on potable drinking water systems where Local Governing Code mandates protection from non-potable quality water being pumped or siphoned back into the potable water system.

The ductile iron body is fused with ArmorTek™ technology to resist corrosion due to microbial induced corrosion (MIC) or exposed metal substrate. The LF880W/WZ features Lead Free* construction to comply with low lead installation requirements. The Lead Free* Reduced Pressure Zone Assemblies shall comply with state codes and standards, where applicable, requiring reduced lead content.

Features

- Stainless steel relief valve seat and stainless steel check components for maximum performance and durability
- Longer gate-to-gate length for drop-in replacement of longer valves
- Inline serviceable assembly
- Vertical up or vertical down N-pattern installation
- Vertical up Z-pattern installation
- No special tools required for servicing
- Captured modular spring assembly
- Reversible and replaceable discs
- Field replaceable seats
- Ductile iron valve body design
- Utilizes advanced ArmorTek™ coating technology to resist corrosion of internals
- Modular and repairable pressure differential relief valve
- Clapper check assembly
- Captured O-ring design

*The wetted surface of this product contacted by consumable water contains less than 0.25% of lead by weight.



Model LF880W

Specification

The FEBCO MasterSeries LF880W/WZ Reduced Pressure Zone Assembly shall be installed on the potable water supply and at each point of cross-connection to protect against possible backpressure and backsiphonage conditions for high hazard (that is, toxic) applications. The assembly shall consist of a main line valve body composed of a pressure differential relief valve located in a zone between two (2) independently acting approved clapper style check modules with replaceable seats and disc rubbers. Servicing of the pressure differential relief valve and both check modules does not require any special tools; both check modules are accessed through independent top entry covers. This assembly shall be fitted with AWWA Compliant inlet/outlet resilient seated shutoff valves; when used on a Fire-Sprinkler application, the assembly shall be fitted with approved UL/FM inlet/outlet resilient seated shutoff valves and contain four (4) properly located resilient seated test cocks as specified by AWWA Standard C511. The valve body shall utilize a coating system with built in electrochemical corrosion inhibitor and microbial inhibitor. Flow and pressure loss performance parameters shall meet the requirements of AWWA Standard C511.

NOTICE

The information contained herein is not intended to replace the full product installation and safety information available or the experience of a trained product installer. You are required to thoroughly read all installation instructions and product safety information before beginning the installation of this product.

NOTICE

Inquire with governing authorities for local installation requirements.

FEBCO product specifications in U.S. customary units and metric are approximate and are provided for reference only. For precise measurements, please contact FEBCO Technical Service. FEBCO reserves the right to change or modify product design, construction, specifications, or materials without prior notice and without incurring any obligation to make such changes and modifications on FEBCO products previously or subsequently sold.



A WATTS Brand

Options - Suffix

OSY: UL/FM Approved OS&Y gate valves (ANSI/AWWA C515 Compliant)

NRS: Non-rising stem gate valves (ANSI/AWWA C509 Compliant)

LG: Less shutoff valves (This is NOT an APPROVED ASSEMBLY.)

Example Ordering Description

4" LF880W-OSY - Valve assembly fitted with OS&Y shutoff valves

Available Components

Wye Strainer: FDA Approved (ASME B16.1 Class 125 & AWWA Class D Flange)

Materials

Below is a general materials list of Model LF880W/WZ. All assemblies sizes 4" to 10" are similar in materials and construction. Contact your local FEBCO representative if you require further information.

Main Valve Body: Ductile iron Grade 65-45-12

Relief Valve Body: Ductile iron Grade 65-45-12

Coating: Fusion epoxy coated internal and external AWWA C550-90

Shutoff Valves: NRS resilient wedge gate valve AWWA C509 (Standard)
OSY resilient wedge gate valve AWWA C515 (UL/FM)

Check Seats: Stainless steel

Relief Valve Seat: Stainless steel

Disc Holder: Stainless steel

Elastomer Disc: Silicone

Spring: Stainless steel

Clamp: AWWA C606

Approvals – Standards

- Approved by the Foundation for Cross-Connection Control and Hydraulic Research at The University of Southern California (FCCCHR USC)
- ASSE 1013 Listed
- UL Classified** (US & Canada)
- FM Approved**
- IAPMO/cUPC
- AWWA Standard C511 Compliant
- End Connections: Compliant to ASME B16.1 Class 125 & AWWA Class D Flange

**Assembly configured with UL/FM Approved OS&Y RW gate valves. Less gate valve assemblies are not UL/FM approved configurations.



Assembly Flow Orientation

Horizontal (N-Pattern 4" – 10") - Approved by FCCCHR-USC, ASSE, cULus, FM, IAPMO/cUPC

Vertical Up (Z-Pattern 4" – 10") - Approved by FCCCHR-USC, ASSE, cULus, FM, IAPMO/cUPC

Pressure - Temperature

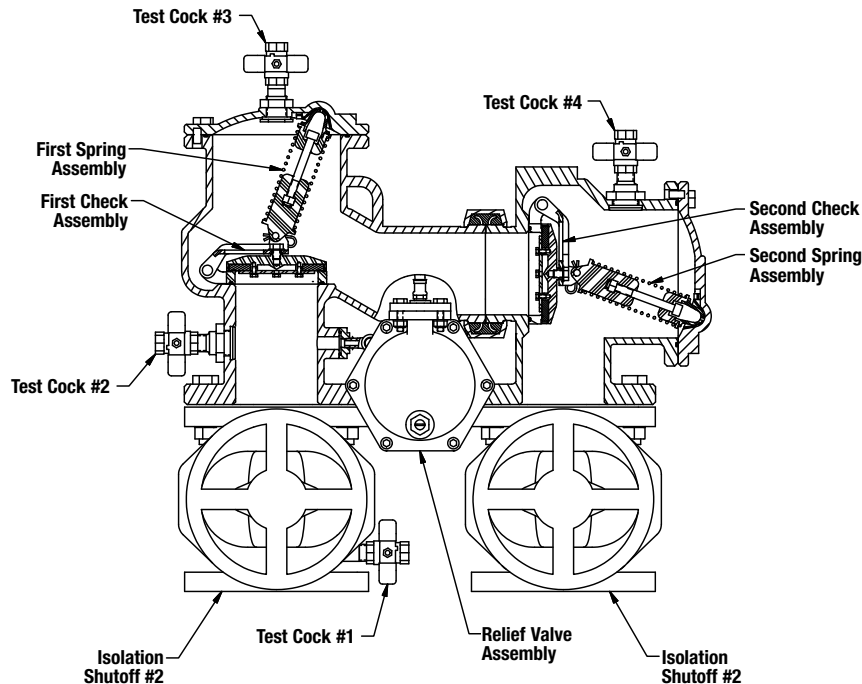
Max. Working Pressure: 175 psi (12.1 bar)

Min. Working Pressure: 20 psi (1.4 bar)

Hydrostatic Test Pressure: 350 psi (24.1 bar)

Hydrostatic Safety Pressure: 700 psi (48.3 bar)

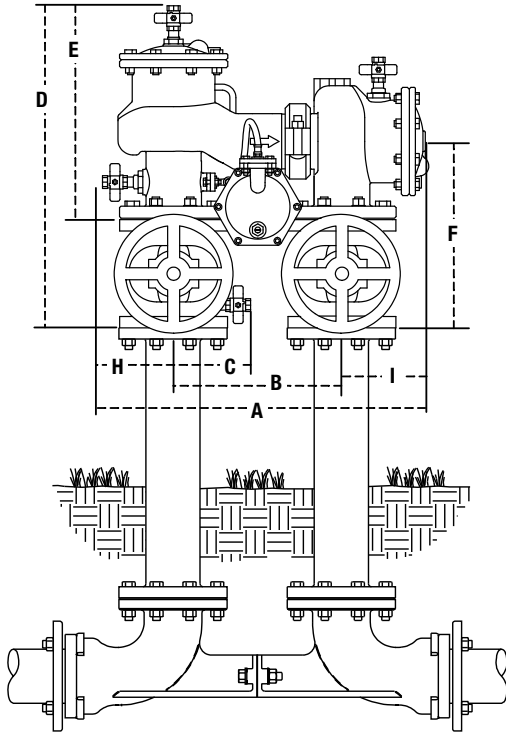
Temperature Range: 33°F - 140°F (0.5°C- 60°C) continuous



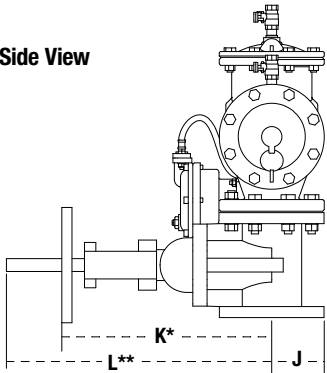
Dimensions – Weights

Below are the nominal dimensions and physical weights for Model LF880W/WZ, sizes 4" to 10". Allowances must be made for normal manufacturing tolerances. Download installation instructions at watts.com, or contact your local FEBCO representative for more information.

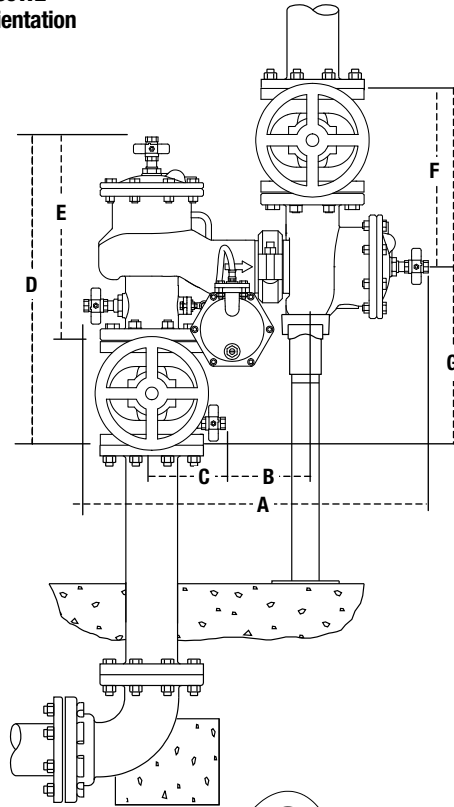
Model LF880W Standard Orientation (N-Pattern)



Gate Valve Side View

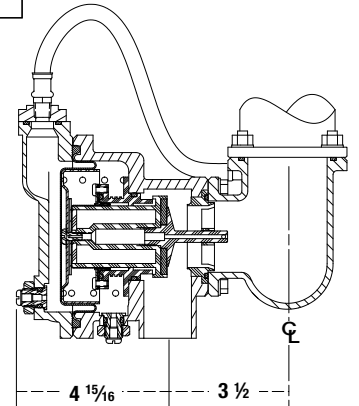


Model LF880WZ Vertical Orientation (Z-Pattern)



Relief Valve Detail

Relief shipped on right side (shown) field reversible to left side.



SIZE	DIMENSIONS														WEIGHT***																	
	A (W)		A (Z)		B (W)		B (Z)		C		D		E		F		G		H		I		J		K*		L**		NRS		OSY	
in.	in.	mm	in.	mm	in.	mm	in.	mm	in.	mm	in.	mm	in.	mm	in.	mm	in.	mm	in.	mm	in.	mm	in.	mm	in.	mm	in.	mm	lb	kg	lb	kg
4	32 ¹ / ₁₆	818	32 ³ / ₁₆	833	18 ⁹ / ₁₆	465	18 ¹ / ₁₆	481	7	178	26 ³ / ₄	680	17 ³ / ₄	451	15 ¹ / ₂	394	31	787	6	152	7 ¹ / ₄	184	4 ¹ / ₂	114	14 ⁴ / ₁₆	365	23 ¹ / ₄	591	344	156	356	162
6	34 ¹ / ₁₆	887	37 ¹ / ₄	946	18 ¹ / ₁₆	475	21	533	8	203	32 ¹ / ₄	819	21 ⁵ / ₁₆	548	18 ³ / ₁₆	473	37 ¹ / ₄	946	7 ¹ / ₂	191	9 ¹ / ₂	241	5 ¹ / ₂	140	18 ⁸ / ₁₆	479	30 ³ / ₁₆	765	517	235	537	244
8	48	1219	49 ⁹ / ₁₆	1253	29	737	30 ⁵ / ₁₆	770	9 ¹ / ₄	235	36 ³ / ₁₆	324	24 ¹ / ₁₆	632	20 ³ / ₄	527	41 ¹ / ₂	1054	8 ³ / ₄	222	10 ¹ / ₄	260	6 ³ / ₄	172	23 ¹ / ₂	597	37 ³ / ₄	959	808	366	836	379
10	50 ¹ / ₁₆	1272	51 ¹ / ₁₆	1304	29	737	30 ⁵ / ₁₆	533	10 ¹ / ₁₆	264	40 ³ / ₁₆	1032	27 ¹ / ₂	699	23 ¹ / ₁₆	601	47 ³ / ₁₆	1202	9 ³ / ₁₆	238	11 ¹ / ₁₆	298	8	203	27 ¹ / ₂	699	45 ³ / ₄	1162	-	-	1344	610

Notes:

* Indicates nominal dimensions with NRS gate valves

** Indicates nominal dimensions with OSY gate valves (full open position)

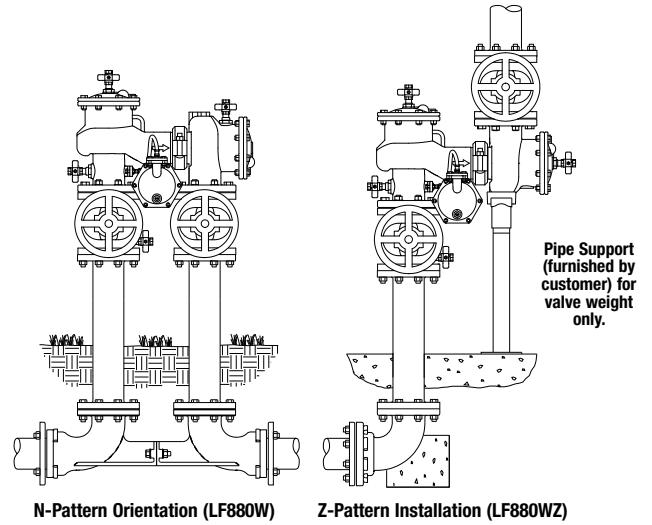
*** Indicates weight of complete backflow assemblies with specified gate valves

The gap drain is not designed to catch the maximum discharge possible from the relief valve. The installation of the FEBCO air gap with the drain line terminating above a floor drain will handle any normal discharge or nuisance spitting through the relief valve. However, floor drain size may need to be designed to prevent water damage caused by a catastrophic failure condition. Do not reduce the size of the drain line from the air gap fitting.

Performance

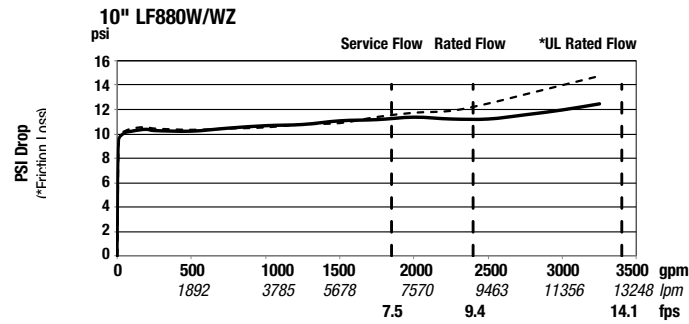
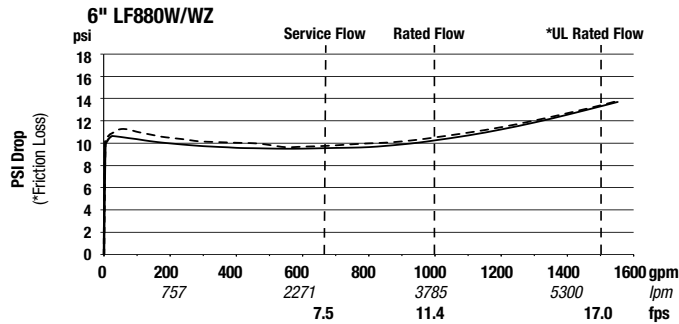
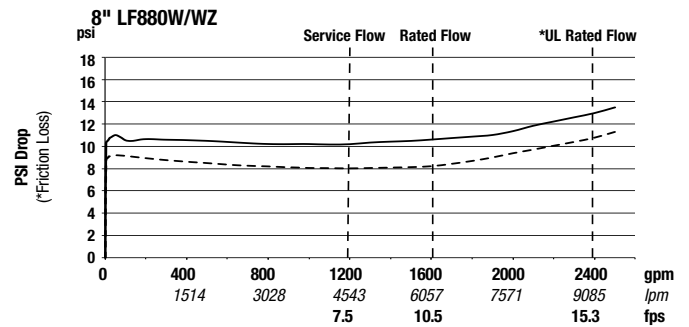
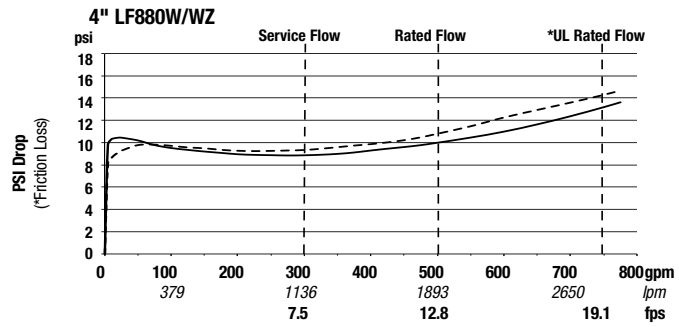
The flow capacity chart identifies valve performance based upon rated water velocity up to 20fps.

- Maximum service flow rate is determined by maximum rated velocity of 7.5fps.
- AWWA Manual M-22 (Appendix C) recommends that the maximum water velocity in the services be not more than 10fps.
- UL flow rate is determined by typically rated velocity of 15 ft/sec.



Capacity

LF880W (N-Pattern) LF880WZ (Z-Pattern)



A WATTS Brand

USA: T: (800) 767-1234 • F: (800) 788-4491 • FEBCOonline.com
Canada: T: (888) 208-8927 • F: (905) 481-2316 • FEBCOonline.ca
Latin America: T: (52) 55-4122-0138 • FEBCOonline.com