

Engineering Specification

Job Name _____
 Job Location _____
 Engineer _____
 Approval _____
 Tag _____

Contractor _____
 Approval _____
 Contractor's P.O. No. _____
 Representative _____

FD-1190-PR Cast Iron Adjustable Floor Drain with Integrated Level Specification

Watts Pronto!® FD-1190-PR epoxy coated cast iron floor drain with anchor flange, reversible clamping collar with primary and secondary weepholes, post-pour adjustable round heel proof stainless steel strainer with integrated bubble level, leveling shims, and no hub (standard) outlet.



PATENTED

Pipe Sizing		
Suffix	Description	
2	2"(51) Pipe Size	<input type="checkbox"/>
3	3"(76) Pipe Size	<input type="checkbox"/>
4	4"(102) Pipe Size	<input type="checkbox"/>
6	6"(152) Pipe Size	<input type="checkbox"/>

Outlet Type		
Suffix	Description	
NH	No Hub (MJ)	<input type="checkbox"/>
P	Push On	<input type="checkbox"/>
T	Threaded Outlet	<input type="checkbox"/>
X	Inside Caulk	<input type="checkbox"/>

Options		
Suffix	Description	
-6	Vandal Proof	<input type="checkbox"/>
-7	Trap Primer Tapping	<input type="checkbox"/>
-8	Backwater Valve (2, 3, 4" Only)	<input type="checkbox"/>
-13	Galvanized Body	<input type="checkbox"/>
-15	Strainer Extension (DD-50)	<input type="checkbox"/>
-F4-50	4" Round Cast Iron Funnel	<input type="checkbox"/>
-F4-1	4" Round Nickel Bronze Funnel	<input type="checkbox"/>
-F6-1	6" Round Nickel Bronze Funnel	<input type="checkbox"/>
-G-50	4x9" Oval Cast Iron Funnel	<input type="checkbox"/>
-G-1	4x9" Oval Nickel Bronze Funnel	<input type="checkbox"/>
-S0	Side Outlet	<input type="checkbox"/>

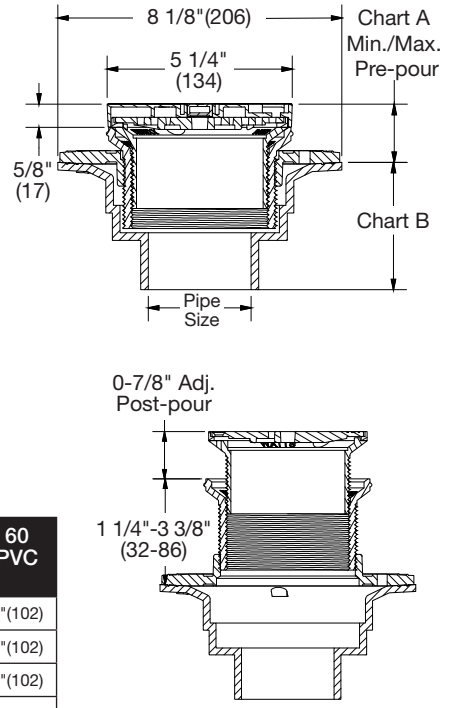
Strainer		
Suffix	Description	
PR5	5"(127) Dia., Stainless Steel	<input type="checkbox"/>
PR6	6"(127) Dia., Stainless Steel	<input type="checkbox"/>
PR7	7"(178) Dia., Stainless Steel	<input type="checkbox"/>
PR8	8"(203) Dia., Stainless Steel	<input type="checkbox"/>

Chart A

Strainer Size	Min.	Max.	Load Rating	Free Area Sq. In.
5"(127)	1 3/4"(44)	4 1/4"(108)	MD	6
6"(152)	1 3/4"(44)	4 1/4"(108)	LD	11
7"(178)	1 7/8"(48)	4 3/8"(111)	LD	13
8"(203)	2"(51)	4 1/2"(114)	MD	19

Chart B

Pipe Size	Std. No Hub	P Push On	T Female Thread	X Inside Caulk	60 PVC
2"(51)	3 5/8"(92)	4 1/4"(108)	4 1/4"(108)	4 1/2"(114)	4"(102)
3"(76)	3 5/8"(92)	4 1/4"(108)	4 1/4"(108)	4 1/2"(114)	4"(102)
4"(102)	3 5/8"(92)	4 1/4"(108)	4 1/4"(108)	4 1/2"(114)	4"(102)
6"(152)	3 1/2"(89)				



NOTICE

The information contained herein is not intended to replace the full product installation and safety information available or the experience of a trained product installer. You are required to thoroughly read all installation instructions and product safety information before beginning the installation of this product.

Watts product specifications in U.S. customary units and metric are approximate and are provided for reference only. For precise measurements, please contact Watts Technical Service. Watts reserves the right to change or modify product design, construction, specifications, or materials without prior notice and without incurring any obligation to make such changes and modifications on Watts products previously or subsequently sold.



USA: T: (800) 338-2581 • Watts.com
Canada: T: (888) 208-8927 • Watts.ca
Latin America: T: (52) 55-4122-0138 • Watts.com