

Installation & Operation Manual

WiFi Thermostat 561



Zoning

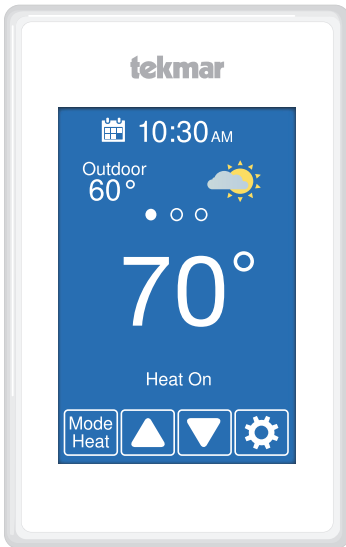
561_D

12/17

Replaces: 12/16

Introduction

The WiFi Thermostat 561 provides precise temperature control of a one-stage heating system. When connected to the Internet, the mobile app and website allows you to control the thermostat remotely. The thermostat and mobile app include an away feature that overrides the schedule to lower the temperature and increase energy savings. The thermostat is designed to support radiant floor heating and optional floor sensors can be installed to enhance comfort and protect floor coverings.



Features

- Mobile app for iOS and Android
- Supports optional floor sensor
- Automatic software updates
- Outdoor temperature
- Local weather
- Email error and warning notifications
- Time clock updated from Internet
- 7 day programmable schedule
- Away energy savings mode
- Early start
- Energy monitoring
- English/Français/Español languages
- 3.5" color touchscreen
- Selectable background colors

tekmar[®]

A **WATTS** Brand

Table of Contents

Installation	4
Preparation	4
Removing The Thermostat Base	5
Mounting The Thermostat.....	5
Application 561-1.....	6
Application 561-2	7
Application 561-3	8
Application 561-4	9
Sequence of Operation.....	10
Heating Operation.....	10
User Interface	11
Home Screen.....	11
User Settings	12
Away	12
Schedule.....	12
Display	13
Time	14
WiFi.....	15
Installer Settings	16
Setup.....	16
Setup - Toolbox.....	16
Setup - Temp	17
Setup - Sensors	18
Setup - Alerts	18
Setup - Relays	18
tekmar Connect Web and Mobile App.....	19
Troubleshooting	21
Error Messages	21
Technical Data	23
Limited Warranty and Product Return Procedure	24

Important Safety Information

It is your responsibility to ensure that this thermostat is safely installed according to all applicable codes and standards. tekmar is not responsible for damages resulting from improper installation and/or maintenance.



This is a safety-alert symbol. The safety alert symbol is shown alone or used with a signal word (DANGER, WARNING, or CAUTION), a pictorial and/or a safety message to identify hazards.

When you see this symbol alone or with a signal word on your equipment or in this Manual, be alert to the potential for death or serious personal injury.



This pictorial alerts you to electricity, electrocution, and shock hazards.

⚠ WARNING

This symbol identifies hazards which, if not avoided, could result in death or serious injury.

⚠ CAUTION

This symbol identifies hazards which, if not avoided, could result in minor or moderate injury.

NOTICE

This symbol identifies practices, actions, or failure to act which could result in property damage or damage to the equipment.

⚠ WARNING



Read Manual and all product labels BEFORE using the equipment. Do not use unless you know the safe and proper operation of this equipment. Keep this Manual available for easy access by all users. Replacement Manuals are available at tekmarControls.com

⚠ WARNING

- It is the installer's responsibility to ensure that this thermostat is safely installed according to all applicable codes and standards.
- Improper installation and operation of this thermostat could result in damage to the equipment and possibly even personal injury or death.
- This thermostat is not intended for use as a primary limit control. Other controls that are intended and certified as safety limits must be placed into the control circuit.

NOTICE

Do not attempt to service the thermostat. There are no user serviceable parts inside the thermostat. Attempting to do so voids warranty.

Installation

Preparation

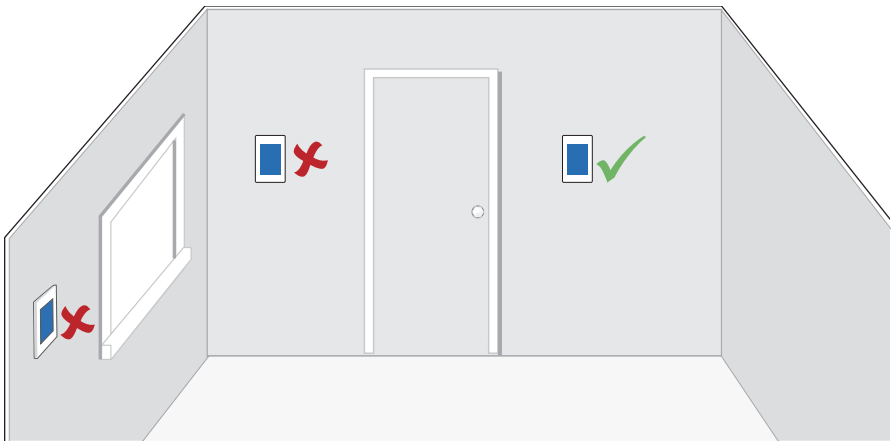
Tools Required

- tekmar or jeweler screwdriver
- Phillips head screwdriver
- Wire stripper
- Drill (for wall anchor)
- 3/16" drill bit (for wall anchor)

Materials Required

- 18 AWG LVT Solid Wire (Low Voltage Connections)

Installation Location

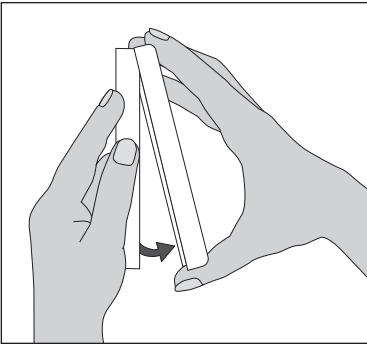


NOTICE

Consider the following:

- Interior Wall.
- Keep dry. Avoid potential leakage onto the control.
- Relative Humidity less than 90%. Non-condensing environment.
- No exposure to extreme temperatures beyond 32-122°F (0-50°C).
- No draft, direct sun, or other cause for inaccurate temperature readings.
- Away from equipment, appliances, or other sources of electrical interference.
- Easy access for wiring, viewing, and adjusting the display screen.
- Approximately 5 feet (1.5 m) off the finished floor.
- The maximum length of wire is 500 feet (150 m).
- Strip wire to 3/8" (10 mm) for all terminal connections.
- Use standard 8 conductor, 18 AWG wire.

Removing The Thermostat Base



While holding the base section in one hand, pull the lower half of the display front towards you to pivot it away from the base.

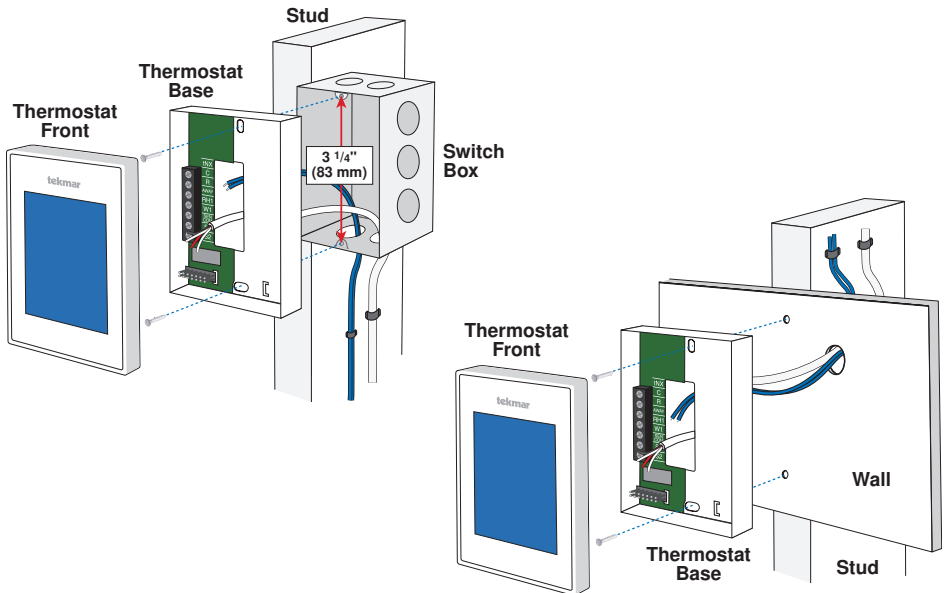
Mounting The Thermostat

⚠ WARNING



To prevent the risk of personal injury and/or death, make sure power is not applied to the thermostat until it is fully installed and ready for final testing. All work must be done with power to the circuit being worked on turned off.

Please be aware local codes may require this thermostat to be installed or connected by an electrician.



Application 561-1

The WiFi Thermostat 561 operates a radiant floor heating system. The thermostat uses the built-in air temperature sensor.

Mechanical

Legend

B1 = Boiler

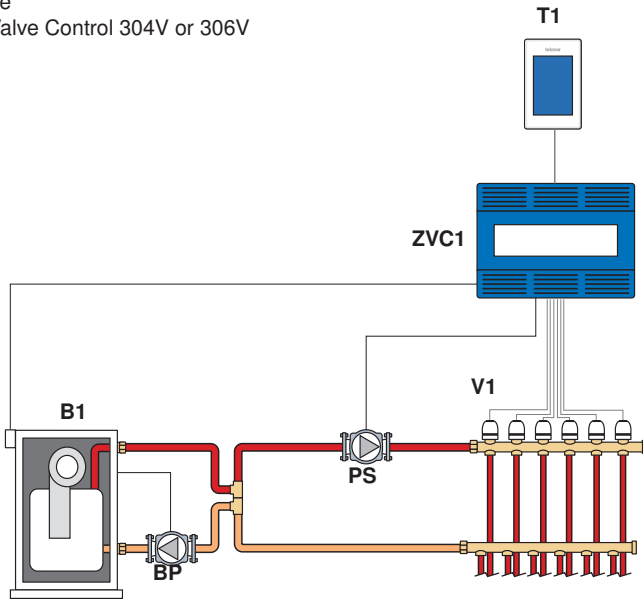
BP = Boiler Pump

PS = System Pump

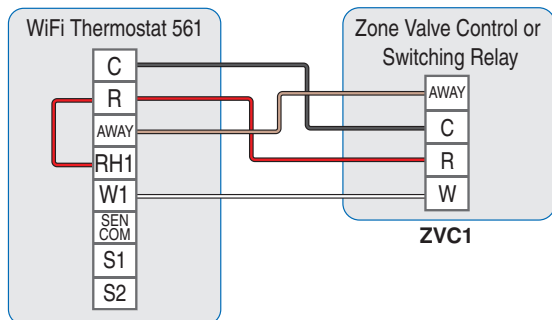
T1 = WiFi Thermostat 561

V1 = Zone Valve

ZVC1 = Zone Valve Control 304V or 306V



Electrical



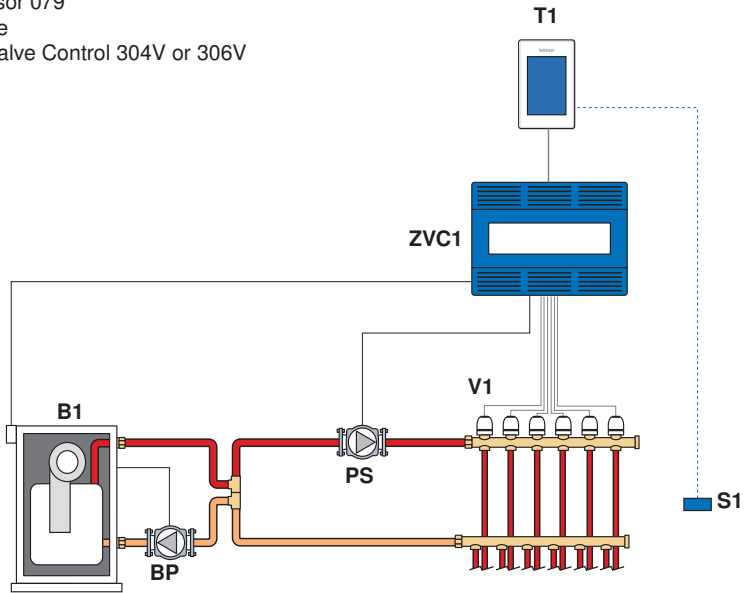
Application 561-2

The WiFi Thermostat 561 operates a radiant floor heating system based upon the floor temperature sensor. The built-in air sensor is disabled.

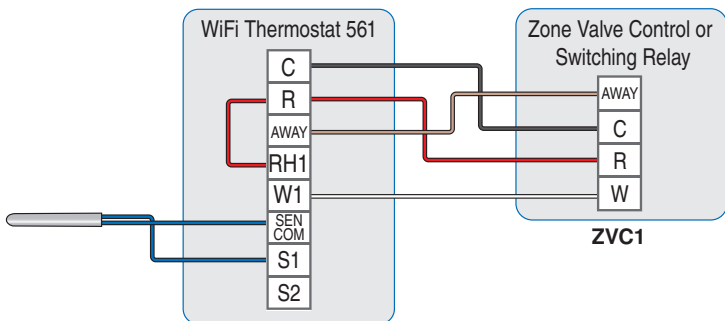
Mechanical

Legend

- B1 = Boiler
- BP = Boiler Pump
- PS = System Pump
- T1 = WiFi Thermostat 561
- S1 = Floor Sensor 079
- V1 = Zone Valve
- ZVC1 = Zone Valve Control 304V or 306V



Electrical



Application 561-3

The WiFi Thermostat 561 operates a radiant floor heating system. The thermostat uses both air and floor temperature sensors. The air temperature sensor can be either built-in and/or external.

Mechanical

Legend

B1 = Boiler

BP = Boiler Pump

PS = System Pump

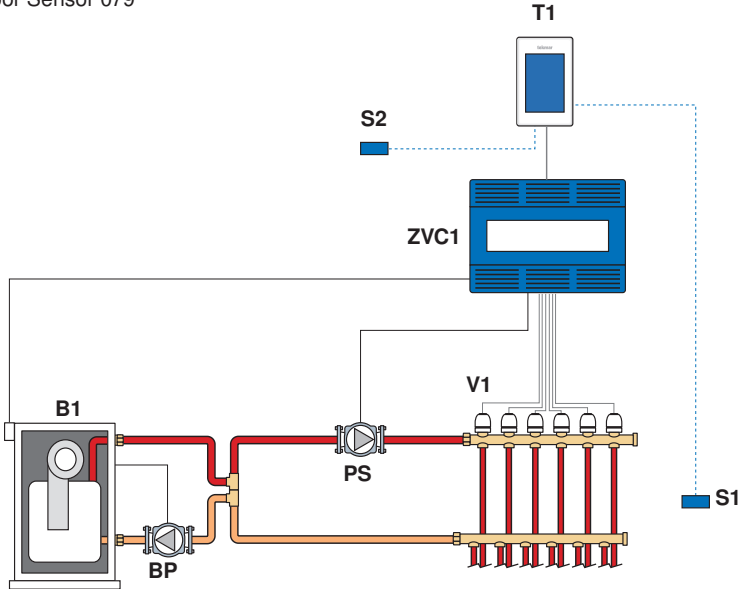
T1 = WiFi Thermostat 561

S1 = Floor Sensor 079

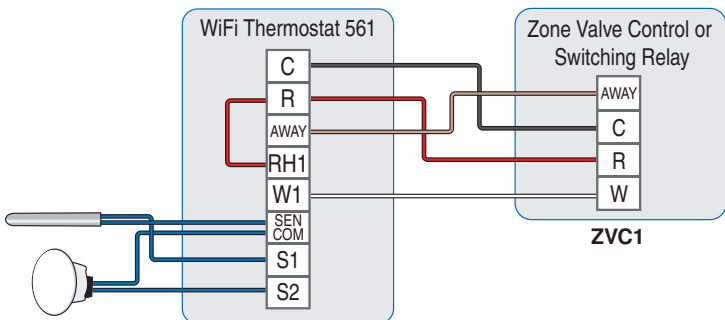
S2 = Optional Indoor Sensor 084

V1 = Zone Valve

ZVC1 = Zone Valve Control 304V or 306V



Electrical



Application 561-4

The WiFi Thermostat 561 operates a baseboard/radiator using an air temperature sensor. The air temperature sensor can be either built-in and/or external.

Mechanical

Legend

B1 = Boiler

BP = Boiler Pump

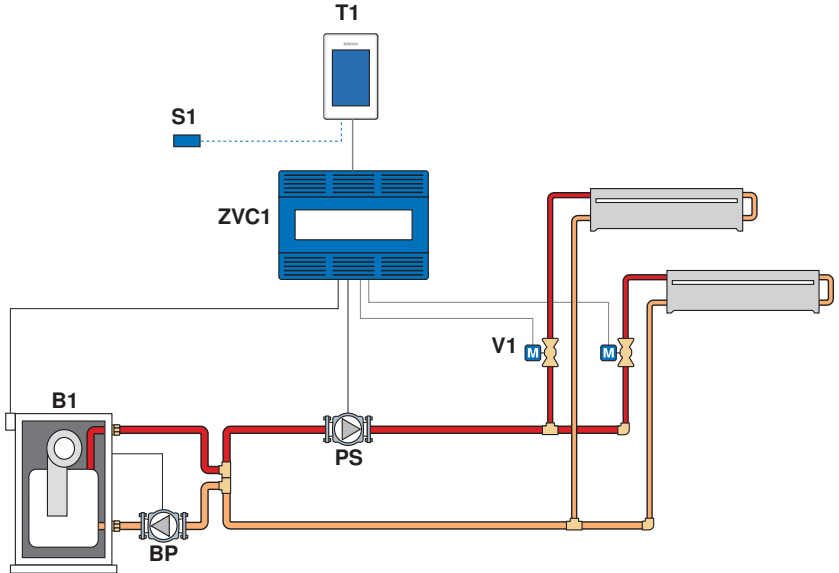
PS = System Pump

T1 = WiFi Thermostat 561

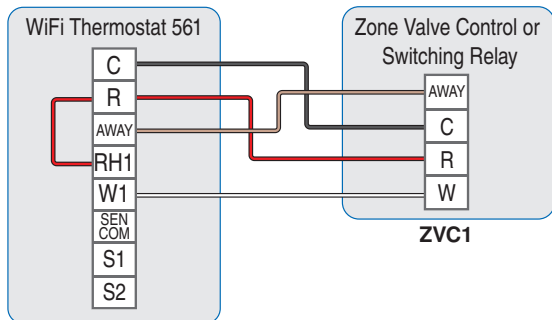
S1 = Optional Indoor Sensor 084

V1 = Zone Valve

ZVC1 = Zone Valve Control 304V or 306V



Electrical



Sequence of Operation

Heating Operation

The Heat On symbol is shown on the display when the thermostat is heating. Heating for freeze protection is provided whenever the air or floor temperature falls below 40°F (4.5°C), regardless of operating mode.

Regular Heating

W1 relay is on when the air temperature falls 1.5°F (1°C) below the Heat To setting. When the temperature reaches the Heat To setting, the relay turns off.

Radiant Floor Heating

When Radiant Floor Heating is selected in the setup menu, the W1 relay operates using Pulse Width Modulation. This improves comfort for radiant systems with high mass floors.

- 100% on time at Heat To setting -1.5°F
- 50% on time at Heat To setting
- 0% on time at Heat To setting + 1.5°F

Floor Sensor for Radiant Floor Heating

If a floor sensor is connected, floor minimum and maximum settings are available.

For a combination of air and floor temperature control, leave the internal air sensor on in the setup menu. A floor minimum can be used to prevent a fast drop in temperature caused by receding solar exposure. This operation is recommended for areas heated by afternoon sun through large windows. When the sun sets, it can take a long time for the floors to get warm again. This may cause the room to cool off too much in the early evening. A floor minimum setting can help with this condition by maintaining a floor minimum temperature. Keep in mind the floor minimum temperature will override the air temperature, and if set too high, may overheat the room.

A floor maximum is recommended for rooms with hardwood floors. Setting floor minimum and maximum temperatures is a way of enhancing the comfort of the living space while protecting floor coverings.

Warm Weather Shut Down (WWSD)

The heating system can automatically shut off based upon the outdoor temperature and the WWSD setting. This provides a convenient way to shut off radiant floor heating.

User Interface

Home Screen

After 60 seconds of inactivity, the thermostat home screen displays only the time and the temperature.

Go to schedule

Current time

Swipe to view:

- Weather
- Outdoor temperature
- Floor temperature
- Heat To setting

Current temperature

Equipment operation (Heat On)

Change operating mode

Go to settings

Mode

Heat

Off

Save

Cancel

Temperature Adjustment

Heat To

70

Hold Until 5:00 PM

Save to Schedule

'Save to schedule' applies the new temperature to the current schedule event.

Hold overrides the programmed schedule until the time shown

MENU SELECTION

AWAY

SCHEDULE

DISPLAY

TIME

WIFI

SETUP

←

WIFI: Connected

User Settings

Away

Use the Away setting to save energy when the building is unoccupied

Operates normally

Operates using the Away temperature selected in the Setup menu

Save

The screenshot shows a control panel titled "Home / Away". It features two radio buttons: "At Home" (selected) and "Away". Below these are two buttons: "Save" (with a checkmark icon) and "Info" (with an information icon).

- Selecting the Away setting on a thermostat or the mobile app will affect all devices linked to that location through the app.
- The Away temperature can be adjusted in the Setup / Temps menu.

Schedule

Current group of program days.

Go to the next group of program days.

Heating temperature

Early Start anticipates the time required to heat a room and starts early.

Set to On to follow the schedule. Set to Off to use the same temperature all of the time.

Creates a new schedule.

The screenshot shows a "Schedule" screen with a right arrow icon. It lists program days: "Mon Tue Wed Thu Fri". Below are four schedule items: "Wake 6:00 AM 70°", "Leave 8:00 AM 65°" (highlighted in yellow), "Return 6:00 PM 70°", and "Sleep 10:00 PM 65°". At the bottom are buttons for "Early Start On", "Schedule On", "New Schedule", and "Info".

Set schedule start time

Set heating temperature

Select skip if you don't want a temperature change.

Info

The screenshot shows a "Schedule Setup" screen with a right arrow icon. It lists program days: "Mon Tue Wed Thu Fri". Below are two radio buttons: "On" (selected) and "Skip". Below these are two input fields: "6:00 AM" (highlighted in yellow) and "Heat to 70°". At the bottom are buttons for "Save", "Up", "Down", and "Info".

Display

Setting	Range	Default
TEMPERATURE UNITS Select °F or °C.	°F or °C	°F
ENERGY USE View the number of hours the heating or cooling has operated either daily or monthly.	0 to 24 (daily) 0 to 744 (monthly)	0 hours

Daily Usage	
Today	0 hrs
Yesterday	0 hrs
Tue	0 hrs
Mon	0 hrs
Sun	0 hrs
Sat	0 hrs
Fri	0 hrs

Monthly Usage

View each day's run time for heating.

Toggle between Daily and Monthly Usage.

Setting	Range	Default
BRIGHTNESS ACTIVE Select the brightness when touching the screen.	30 to 100%	100%
BRIGHTNESS INACTIVE Select the brightness when not in use.	Off, 30 to 100%	50%
BACKGROUND Select the background color.	Light, Blue, Night, Latte, Espresso	Blue
LANGUAGE Select the language.	English, Español, Français	English
SCREEN CLEAN Locks screen for 10 seconds to allow cleaning.	N/A	N/A
INACTIVE TIME DISPLAY Select if the time is visible when the display is inactive.	Off or On	On
INACTIVE OUTDOOR DISPLAY Select if the outdoor temperature is visible when the display is inactive.	Off or On	Off

Time


TIME & DATE

Aug 25 2016

1 30 PM

▲ ▲ ▲

▼ ▼ ▼

OPTIONS 

When connected to the Internet, the time can be set automatically.

The time and date can be manually set by highlighting a field and then using the ▲ or ▼ buttons.

Choose from the time options listed below.

Setting	Range	Default
TIME FORMAT Select the time format.	12 or 24 hour	12 hour
TIME SOURCE If Internet is available, the time source can be either automatically or manually set.	Automatic, Manual	Auto
TIME ZONE Select the local time zone.	Hawaii, Alaska, Pacific, Mountain, Central, Eastern, Atlantic, Newfoundland	Eastern
DAYLIGHT SAVING TIME Select the brightness when not in use.	Off, On	On

NOTICE

Incorrectly setting the time and date manually may prevent the thermostat from communicating to the mobile app. Automatic time source is recommended when using an Internet connection.

NOTICE

Before using the WiFi features of this product, you must accept the Terms of Use, as amended from time to time and available at tekmarConnect.com/terms. If you do not accept these terms, this product can still be used without WiFi features.

This product requires WiFi WPA security. WEP is not supported.

The thermostat includes a step by step tutorial to setup the WiFi connection.

Tutorial

Before first using wi-fi features of this product, you must accept the Terms of Use available at <http://tekmarConnect.com/terms> by pressing AGREE below.

If you do not accept these terms, this product can still be used without wi-fi features.

Step 1

Agree to Terms of Use

WiFi

Off
 On

Step 2

Turn on WiFi

NETWORK SSID

Select a network from the list:

Step 3

Enter wireless network name.

Enter Password

A	B	C	D	E	F
G	H	I	J	K	L
M	N	O	P	Q	R
S	T	U	V	W	X
Y	Z		Shft	A/1	Del

Step 4

Enter WiFi password.

ZIP/Postal

1	2	3	4	5	6
7	8	9	0	-	/
:	;	()	\$	&
@	"	.	,	?	!
'	\		Shft	A/1	Del

Step 5

Enter ZIP or postal code. This determines your location for weather information.

Time Source

Automatic
 Manual

Step 6

Select if the time is set automatically from the Internet or manually.

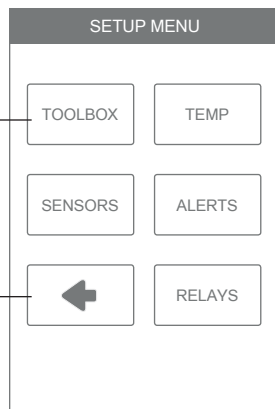
Installer Settings

Setup

The Setup menu contains five sub-menus that determine how the thermostat operates.

The Access Level setting in the Toolbox menu determines how many settings are available to the user.

Press back to return to the main Settings menu.



Setup - Toolbox

Setting	Range	Default
ERROR Displays any error messages.	N/A	N/A
ACCESS LEVEL Select between user and installer access levels. User access level restricts access in the Setup Menu.	User, Installer	Installer
STATUS The current status of warm weather shut down, cold weather shut down and each of the relays.	WWSD, W1	N/A
SOFTWARE VERSION Display the software version.	J1249A	N/A
LOAD DEFAULTS All settings are returned to factory defaults.	Yes, No	No
CALIBRATE TOUCHSCREEN Recalibrate the screen after loading factory defaults.	N/A	N/A

Setup - Temp

Setting	Range	Default
<i>Screen Page 1</i>		
FLOOR MIN - WAKE Select the floor temperature while in the wake schedule. Applies when there is both a floor and an air sensor.	Off, 40 to 95°F Off, 4.5 to 35.0°C	Off
FLOOR MIN - LEAVE Select the floor temperature while in the leave schedule. Applies when there is both a floor and an air sensor.	Off, 40 to 95°F Off, 4.5 to 35.0°C	Off
FLOOR MIN - RETURN Select the floor temperature while in the return schedule. Applies when there is both a floor and an air sensor.	Off, 40 to 95°F Off, 4.5 to 35.0°C	Off
FLOOR MIN - SLEEP Select the floor temperature while in the sleep schedule. Applies when there is both a floor and an air sensor.	Off, 40 to 95°F Off, 4.5 to 35.0°C	Off
FLOOR MIN - AWAY Select the floor temperature while in away. Applies when there is both a floor and an air sensor.	Off, 40 to 95°F Off, 4.5 to 35.0°C	Off
FLOOR MAX Select the maximum floor temperature. This protects the floor covering from over heating. Applies when there is a floor sensor.	Off, 40 to 95°F Off, 4.5 to 35.0°C	Off
<i>Screen Page 2</i>		
HEAT TO AWAY Select the heating temperature when away.	Off, 40 to 95°F Off, 4.5 to 35.0°C	62°F (16.5°C)
HEAT TO MIN LIMIT Select the minimum heating temperature limit.	Off, 40 to 95°F Off, 4.5 to 35.0°C	Off
HEAT TO MAX LIMIT Select the maximum heating temperature limit.	Off, 40 to 95°F Off, 4.5 to 35.0°C	Off
WARM WEATHER SHUT DOWN Select the outdoor temperature at which the heating is shut off.	Off, 40 to 95°F Off, 4.5 to 35.0°C	Off

Setup - Sensors

Setting	Range	Default
SENSOR 1 Select the type of sensor connected to S1 and Com wiring terminals.	Off, Room, Floor	Off
SENSOR 2 Select the type of sensor connected to S2 and Com wiring terminals.	Off, Room, Floor, Outdoor	Off
INTERNAL ROOM SENSOR Select if the internal room temperature sensor is on or off. Only available when Sensor 1 or 2 is set to read a room or floor sensor.	Off, On	On
ROOM OFFSET Select if the internal room temperature sensor is on or off. Only available when Sensor 1 or 2 is set to read a room or floor sensor.	Off, -5 to +5°F -3.0 to 3.0°C	Off
FLOOR OFFSET Manual offset correction of the floor temperature measurement.	Off, -5 to +5°F -3.0 to 3.0°C	Off

Setup - Alerts

Setting	Range	Default
ROOM HOT WARNING Sends an email notification if the room exceeds this temperature.	Off, 40 to 100°F Off, 4.5 to 38.0°C	Off
ROOM COLD WARNING Sends an email notification if the room falls below this temperature.	Off, 40 to 100°F Off, 4.5 to 38.0°C	Off

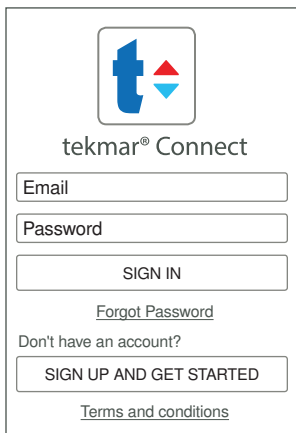
Setup - Relays

Setting	Range	Default
RADIANT FLOOR HEATING Select if the first stage W1 heats a radiant floor.	No, Yes	No

tekmar Connect Web and Mobile App

To view and adjust the WiFi Thermostat using a mobile phone or tablet, download the tekmar Connect mobile app from the Apple® iTunes® Store or from the Google Play® Store. Alternatively, go to tekmarConnect.com for web browser access.

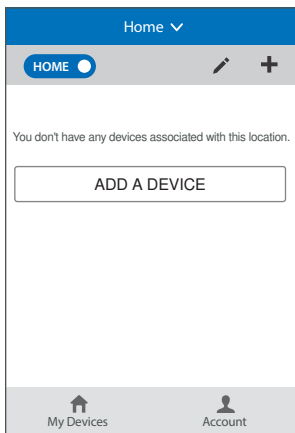
Add Thermostat to App



The screenshot shows the login screen for the tekmar Connect app. At the top is the tekmar logo, a stylized 't' with a red triangle above it and a blue triangle below it. Below the logo is the text 'tekmar® Connect'. There are two input fields: 'Email' and 'Password'. Below these is a 'SIGN IN' button. A link for 'Forgot Password' is below the sign in button. At the bottom, there is a 'SIGN UP AND GET STARTED' button and a link for 'Terms and conditions'.

Step 1

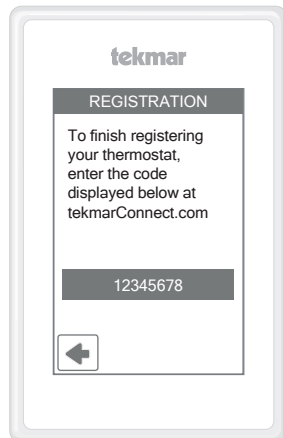
Create a new account. Then login using your username and password.



The screenshot shows the 'Home' screen of the app. At the top is a blue header with 'Home' and a dropdown arrow. Below is a grey bar with 'HOME', a pencil icon, and a plus icon. The main content area says 'You don't have any devices associated with this location.' and has an 'ADD A DEVICE' button. At the bottom is a grey bar with 'My Devices' and 'Account' icons.

Step 2

Add a Device



The screenshot shows the registration screen on a thermostat. At the top is the tekmar logo. Below is a 'REGISTRATION' header. The text says 'To finish registering your thermostat, enter the code displayed below at tekmarConnect.com'. Below this is a box containing the code '12345678'. At the bottom left is a back arrow icon.

Step 3

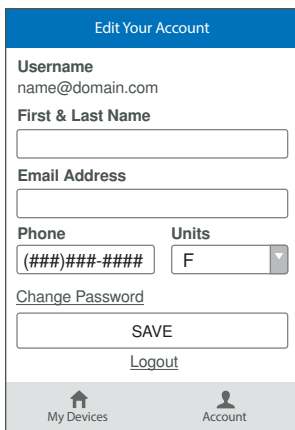
On the thermostat, go to WiFi menu and press Register Device.



The screenshot shows the 'Add a Device' screen. At the top is a blue header with a back arrow and 'Add a Device'. Below are three input fields: 'Activation Number' (with '12345678' entered), 'Device Name' (with 'WiFi Thermostat 561' entered), and 'Location' (with 'Home' selected in a dropdown). Below these is an 'ADD DEVICE' button. At the bottom is a grey bar with 'My Devices' and 'Account' icons.

Step 4

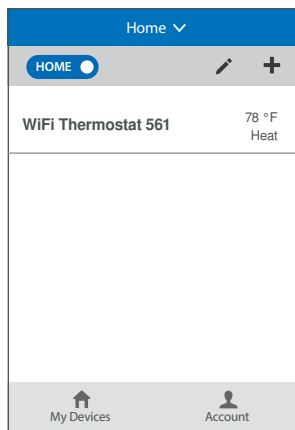
Enter the 8 digit number from the thermostat into the mobile app. Then enter the thermostat's room name. The app supports multiple site locations. Enter the location for the thermostat.



The screenshot shows the 'Edit Your Account' screen. At the top is a blue header with 'Edit Your Account'. Below are several input fields: 'Username' (with 'name@domain.com' entered), 'First & Last Name', 'Email Address', 'Phone' (with '(###)###-####' entered), and 'Units' (with 'F' selected in a dropdown). Below these is a 'Change Password' section with a 'SAVE' button and a 'Logout' link. At the bottom is a grey bar with 'My Devices' and 'Account' icons.

Step 5

Edit your account and save.



The screenshot shows the 'Home' screen of the app. At the top is a blue header with 'Home' and a dropdown arrow. Below is a grey bar with 'HOME', a pencil icon, and a plus icon. The main content area shows 'WiFi Thermostat 561' with a temperature of '78 °F' and 'Heat' mode. Below this is a large empty space. At the bottom is a grey bar with 'My Devices' and 'Account' icons.

The thermostat is now listed on the My Devices page.

Using the App



Choose a location.

HOME AWAY

Set to AWAY to save energy when you are away for a day or more.

View and change thermostat

Home

HOME  

Add a device
Edit location info

WiFi Thermostat 561	73 °F Off
WiFi Thermostat 561	75 °F Heat
WiFi Thermostat 561	78 °F Heat

My Devices Account

Edit account info




Change from Heat or Off mode

Change heating setting

Save temperature change to the schedule

Return to home view

WiFi Thermostat 561

Auto   

View and edit settings
View and edit schedule
Edit device info

tekmar
A WAYTE GROUP

HEAT TO
70°

TEMP
72°

40° 100°

SAVE TO PROGRAM CANCEL HOLD

Temperature change hold until schedule change

My Devices Account

Troubleshooting

Error Messages

When an error occurs an email notification will be sent to the registered tekmar Connect mobile or web app account owner.

Description

INTERNET UNAVAILABLE

The thermostat has a WiFi connection to the router but is unable to WiFi communicate to the internet. Steps to clear the error include: 1) power off and on the router, 2) power off and on the thermostat.

MEMORY ERROR

The thermostat memory settings are corrupted. To clear, load the factory defaults in the Toolbox menu. The thermostat will not operate any heating equipment while this error message is present.

INTERNAL ROOM SENSOR FAULT

Due to an open or short circuit, the thermostat is unable to read the internal room temperature sensor. If sensor 1 or 2 is set to room the thermostat continues to operate, otherwise operation stops.

The error cannot be field repaired. Contact your tekmar sales representative for warranty or repair procedures.

SENSOR 1 FAULT

Due to an open or short circuit, the thermostat is unable to read the sensor wired to S1 and Com. The thermostat stops normal operation if sensor 1 is the only active room or floor sensor or if a floor maximum temperature has been set.

Check the auxiliary sensor wire for short circuits according to the sensor installation manual. It may be necessary to replace the auxiliary sensor. Once the error has been corrected, the error message automatically clears.

SENSOR 2 FAULT

Due to an open or short circuit, the thermostat is unable to read the sensor wired to S2 and Com. The thermostat stops normal operation if sensor 2 is the only active room or floor sensor or if a floor maximum temperature has been set.

Check the auxiliary sensor wire for short circuits according to the sensor installation manual. It may be necessary to replace the auxiliary sensor. Once the error has been corrected, the error message automatically clears.

ROOM HOT WARNING

The room temperature is above the Room Hot Warning setting in the Alerts menu. The warning will automatically clear once the room temperature falls below the setting.

ROOM COLD WARNING

The room temperature is below the Room Cold Warning setting in the Alerts menu. The warning will automatically clear once the room temperature rises above the setting.

Technical Data

WiFi Thermostat 561 *One Stage Heat*

Literature	561_C, 561_D, 561_J, 561_U
Control	Microprocessor control. This is not a safety (limit) control.
Packaged weight	0.6 lb. (270 g)
Dimensions	4-5/8" H x 3" W x 15/16" D (118 x 76 x 24 mm)
Enclosure	White PVC plastic, NEMA Type 1
Approvals	Meets Class B: ICES & FCC Part 15
Ambient conditions	Indoor use only, 32 to 122°F (0 to 50°C), RH ≤90% non-condensing
Power supply	15 to 30 V (ac/dc), 2 VA standby, Class 2
Relays	30 V (ac/dc), 2 A, Class 2 circuits
Sensor	NTC thermistor, 10 kΩ @ 77°F (25°C ±0.2°C) β=3892
– Included	None
– Optional	tekmar type # 070, 072, 073, 076, 077, 079, 084
Communications	WiFi 802.11n, 2.4 GHz, WPA2 encryption
Mobile app	Apple iOS 9 or higher, Android 5 or higher

Limited Warranty and Product Return Procedure

Limited Warranty *The liability of tekmar under this warranty is limited. The Purchaser, by taking receipt of any tekmar product ("Product"), acknowledges the terms of the Limited Warranty in effect at the time of such Product sale and acknowledges that it has read and understands same.*

The tekmar Limited Warranty to the Purchaser on the Products sold hereunder is a manufacturer's pass-through warranty which the Purchaser is authorized to pass through to its customers. Under the Limited Warranty, each tekmar Product is warranted against defects in workmanship and materials if the Product is installed and used in compliance with tekmar's instructions, ordinary wear and tear excepted. The pass-through warranty period is for a period of twenty-four (24) months from the production date if the Product is not installed during that period, or twelve (12) months from the documented date of installation if installed within twenty-four (24) months from the production date.

The liability of tekmar under the Limited Warranty shall be limited to, at tekmar's sole discretion: the cost of parts and labor provided by tekmar to repair defects in materials and / or workmanship of the defective product; or to the exchange of the defective product for a warranty replacement product; or to the granting of credit limited to the original cost of the defective product, and such repair, exchange or credit shall be the sole remedy available from tekmar, and, without limiting the foregoing in any way, tekmar is not responsible, in contract, tort or strict product liability, for any other losses, costs, expenses, inconveniences, or damages, whether direct, indirect, special, secondary, incidental or consequential, arising from ownership or use of the product, or from defects in workmanship or materials, including any liability for fundamental breach of contract.

The pass-through Limited Warranty applies only to those defective Products returned to tekmar during the warranty period. This Limited Warranty does not cover the cost of the parts or labor to remove or transport the defective Product, or to reinstall the repaired or replacement Product, all such costs and expenses being subject to Purchaser's agreement and warranty with its customers.

Any representations or warranties about the Products made by Purchaser to its customers which are different from or in excess of the tekmar Limited Warranty are the Purchaser's sole responsibility and obligation. Purchaser shall indemnify and hold tekmar harmless from and against any and all claims, liabilities and damages of any kind or nature which arise out of or are related to any such representations or warranties by Purchaser to its customers.

The pass-through Limited Warranty does not apply if the returned Product has been damaged by negligence by persons other than tekmar, accident, fire, Act of God, abuse or misuse; or has been damaged by modifications, alterations or attachments made subsequent to purchase which have not been authorized by tekmar; or if the Product was not installed in compliance with tekmar's instructions and / or the local codes and ordinances; or if due to defective installation of the Product; or if the Product was not used in compliance with tekmar's instructions.

THIS WARRANTY IS IN LIEU OF ALL OTHER WARRANTIES, EXPRESS OR IMPLIED, WHICH THE GOVERNING LAW ALLOWS PARTIES TO CONTRACTUALLY EXCLUDE, INCLUDING, WITHOUT LIMITATION, IMPLIED WARRANTIES OF MERCHANTABILITY AND FITNESS FOR A PARTICULAR PURPOSE, DURABILITY OR DESCRIPTION OF THE PRODUCT, ITS NON-INFRINGEMENT OF ANY RELEVANT PATENTS OR TRADEMARKS, AND ITS COMPLIANCE WITH OR NON-VIOLATION OF ANY APPLICABLE ENVIRONMENTAL, HEALTH OR SAFETY LEGISLATION; THE TERM OF ANY OTHER WARRANTY NOT HEREBY CONTRACTUALLY EXCLUDED IS LIMITED SUCH THAT IT SHALL NOT EXTEND BEYOND TWENTY-FOUR (24) MONTHS FROM THE PRODUCTION DATE, TO THE EXTENT THAT SUCH LIMITATION IS ALLOWED BY THE GOVERNING LAW.

Product Warranty Return Procedure All Products that are believed to have defects in workmanship or materials must be returned, together with a written description of the defect, to the tekmar Representative assigned to the territory in which such Product is located. If tekmar receives an inquiry from someone other than a tekmar Representative, including an inquiry from Purchaser (if not a tekmar Representative) or Purchaser's customers, regarding a potential warranty claim, tekmar's sole obligation shall be to provide the address and other contact information regarding the appropriate Representative.

WARNING: This product contains chemicals known to the State of California to cause cancer and birth defects or other reproductive harm.
For more information: Watts.com/prop65

tekmar[®]

A WATTS Brand

All specifications are subject to change without notice

Tel: (250) 545-7749 • Fax: (250) 984-0815
tekmarControls.com